

- Built-in pressure gauges

Product code: MX3-R32/W-P

Datasheet creation date: 07/03/2025 16:08

Check the most updated document online [click here](#)

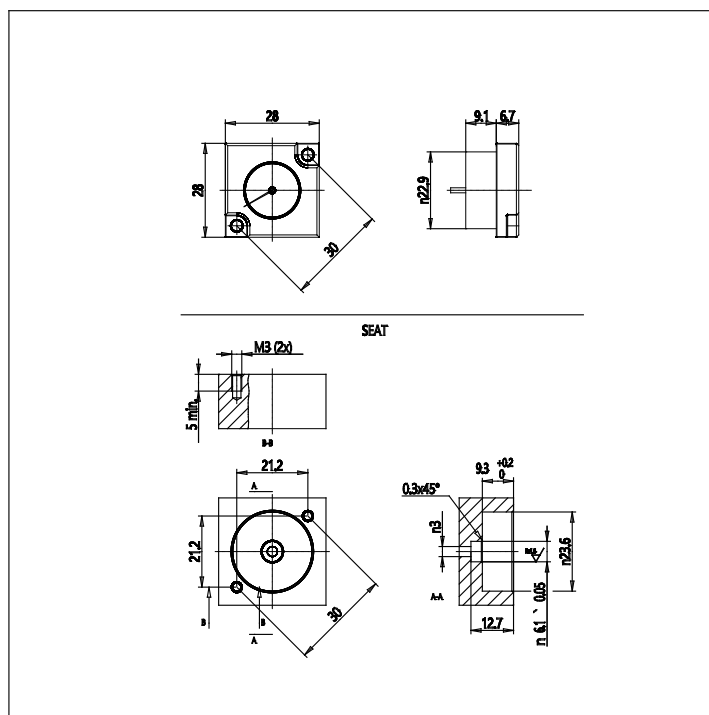


■ TECHNICAL DATA

Mod.	MX3-R32/W-P
Pressure range	0 ÷ 10 bar

- Built-in pressure gauges

Product code: MX3-R32/W-P



■ DIMENSIONS

Mod.	MX3-R32/W-P
Pressure range	0 ÷ 10 bar