

Lubricator - Series N

Product code: N104-L00

Datasheet creation date: 10/03/2025 01:48

Check the most updated document online [click here](#)

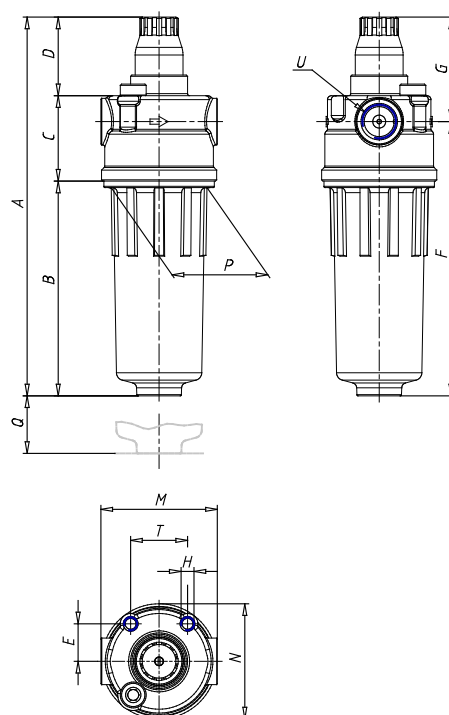


TECHNICAL DATA

Mod.	N104-L00
------	----------

Lubricator - Series N

Product code: N104-L00



DIMENSIONS

A (mm)	122.5
B (mm)	59
C (mm)	33
D (mm)	30.5
E (mm)	14.5
F (mm)	82
G (mm)	40.5
H	M5
M (mm)	45
N (mm)	44.5
P (mm)	38
Q (mm)	46.5
T (mm)	22
U	G1/4