

## Filter and coalescing filter - Series N

Product code: N108-F18

Datasheet creation date: 10/03/2025 01:44

Check the most updated document online [click here](#)

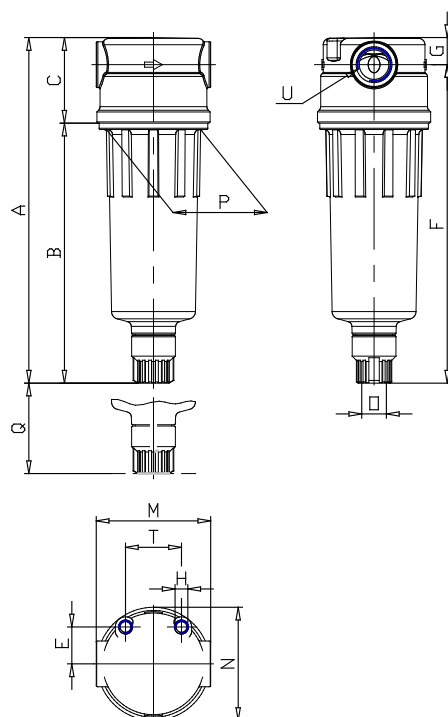


### TECHNICAL DATA

Mod.	N108-F18
------	----------

## Filter and coalescing filter - Series N

Product code: N108-F18



### DIMENSIONS

<b>A (mm)</b>	111
<b>B (mm)</b>	78
<b>C (mm)</b>	33
<b>E (mm)</b>	14.5
<b>F (mm)</b>	101
<b>G (mm)</b>	10
<b>H</b>	M5
<b>M (mm)</b>	45
<b>N (mm)</b>	44.5
<b>O</b>	G1/8
<b>P (mm)</b>	38
<b>Q (mm)</b>	40
<b>T (mm)</b>	22
<b>U</b>	G1/8