

## 3/2-way solenoid valve - Series NA

Product code: NA34N-15-02

Datasheet creation date: 10/03/2025 12:05

Check the most updated document online [click here](#)

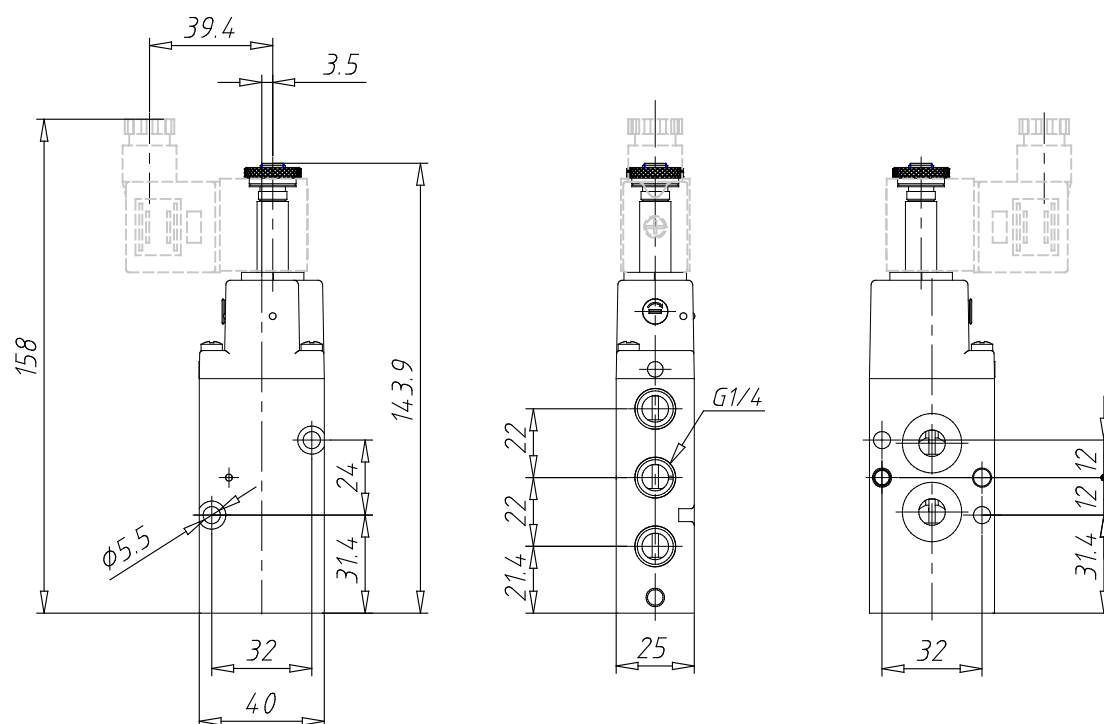


### ■ TECHNICAL DATA

Mod.	NA34N-15-02
------	-------------

## 3/2-way solenoid valve - Series NA

Product code: NA34N-15-02



### DIMENSIONS

Mod.	NA34N-15-02
------	-------------