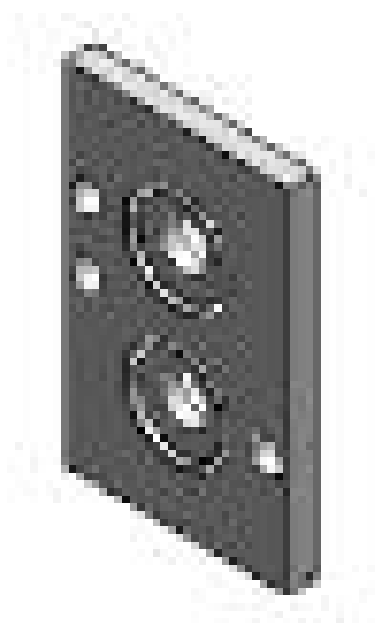


Distance plate Mod. NA54-PC - Series NA

Product code: NA54-PC

Datasheet creation date: 07/03/2025 16:24

Check the most updated document online [click here](#)

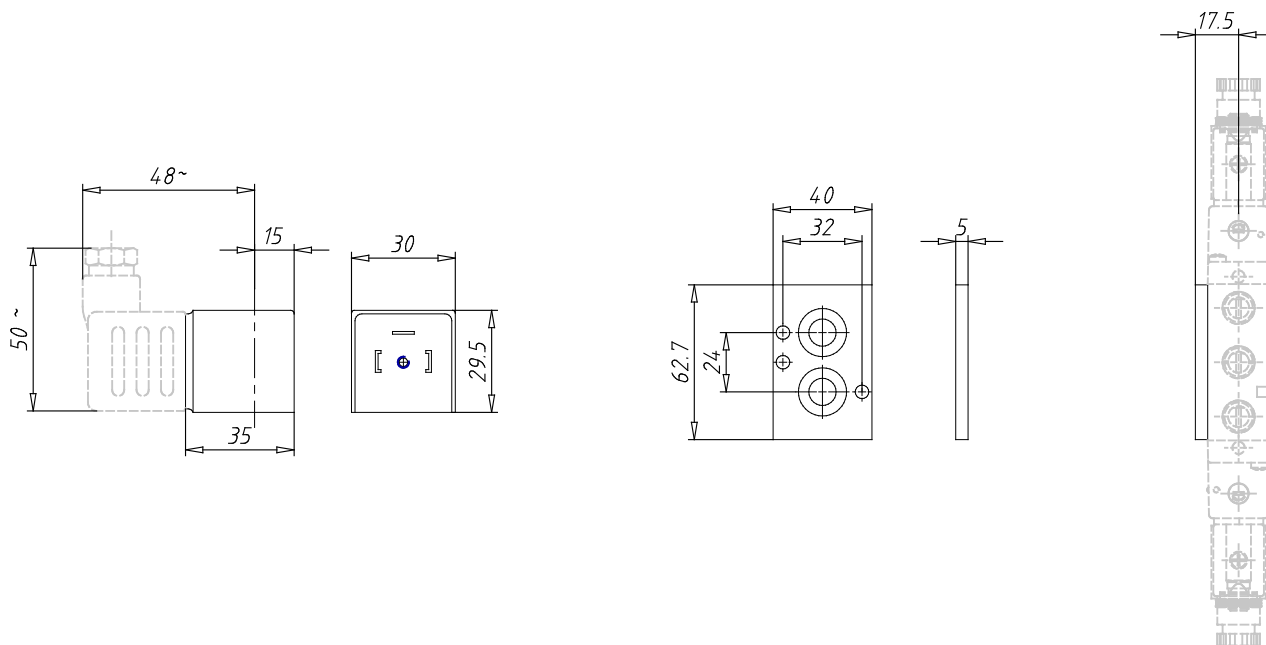


TECHNICAL DATA

Mod.	NA54-PC
------	---------

Distance plate Mod. NA54-PC - Series NA

Product code: NA54-PC



DIMENSIONS

Mod.	NA54-PC
-------------	---------