

5/2-way solenoid valve, monostable - Series NA

Product code: NA54N-15-02

Datasheet creation date: 10/03/2025 12:05

Check the most updated document online [click here](#)

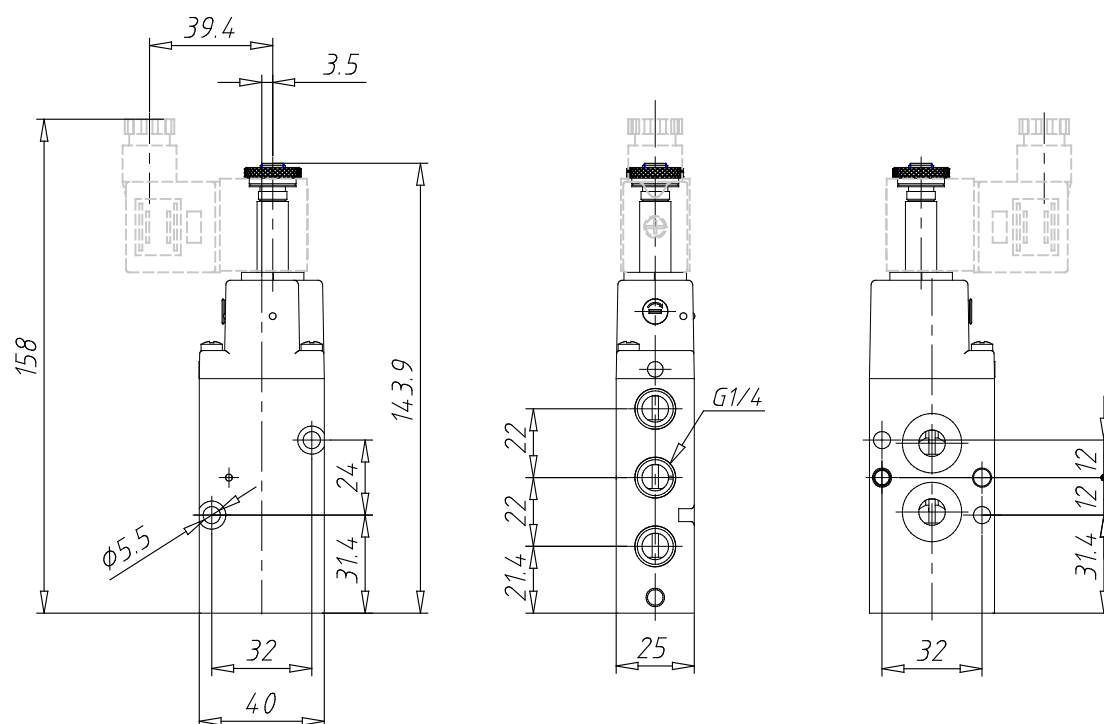


■ TECHNICAL DATA

Mod.	NA54N-15-02
------	-------------

5/2-way solenoid valve, monostable - Series NA

Product code: NA54N-15-02



DIMENSIONS

Mod.	NA54N-15-02
------	-------------