

## Mod. ND6430 - Series ND6000 inch fittings

Product code: ND6430 06-02

Datasheet creation date: 10/03/2025 09:22

Check the most updated document online [click here](#)

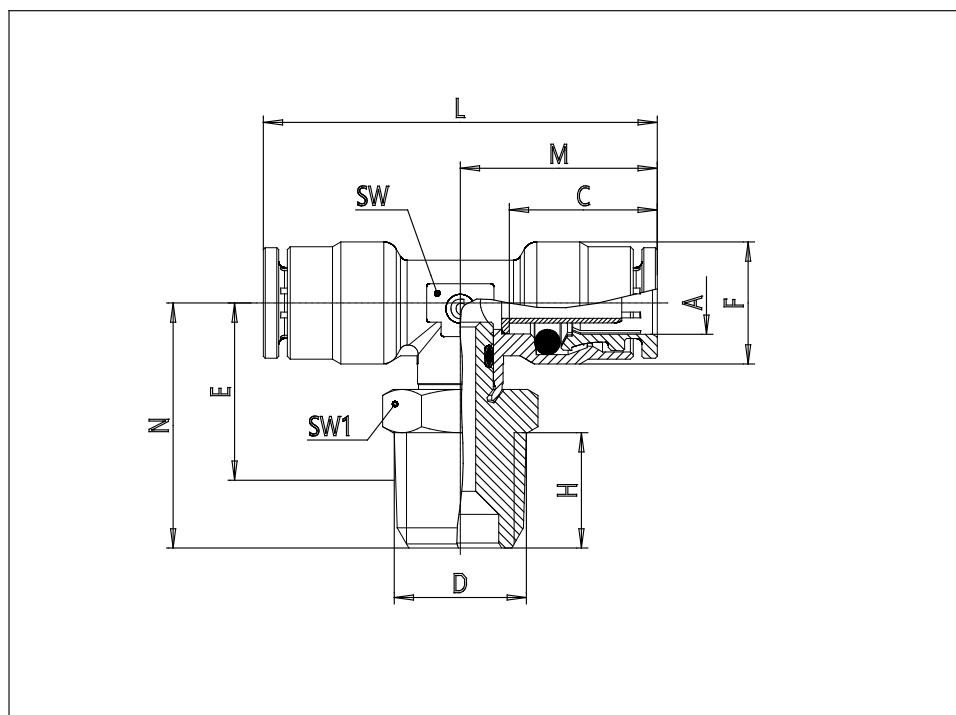


### ■ TECHNICAL DATA

Ident number	ND6430 06-02
--------------	--------------

## Mod. ND6430 - Series ND6000 inch fittings

Product code: ND6430 06-02



### DIMENSIONS

<b>A (INCH)</b>	3/8
<b>NPTF (INCH)</b>	1/8
<b>C (INCH)</b>	0.787
<b>F (INCH)</b>	0.650
<b>E (INCH)</b>	0.787
<b>H (INCH)</b>	0.315
<b>M (INCH)</b>	1.043
<b>L (INCH)</b>	2.087
<b>N (INCH)</b>	0.965
<b>SW (INCH)</b>	0.512
<b>SW1 (INCH)</b>	0.472