

Mod. ND6430 - Series ND6000 inch fittings

Product code: ND6430 53-02

Datasheet creation date: 10/03/2025 09:22

Check the most updated document online [click here](#)

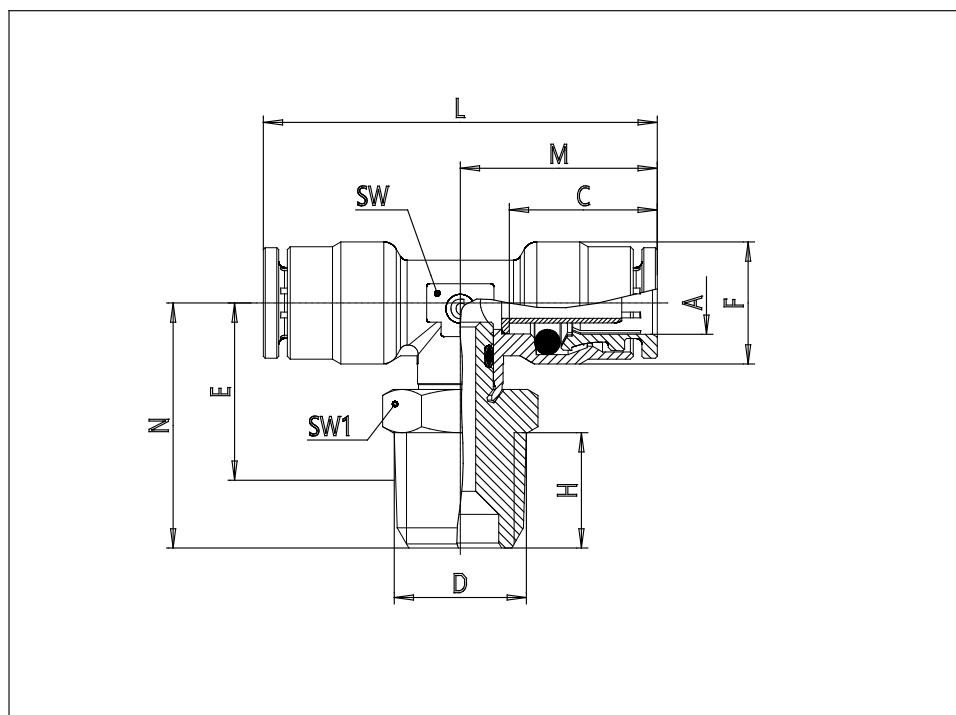


■ TECHNICAL DATA

Ident number	ND6430 53-02
--------------	--------------

Mod. ND6430 - Series ND6000 inch fittings

Product code: ND6430 53-02



DIMENSIONS

A (INCH)	5/32
NPTF (INCH)	1/8
C (INCH)	0.520
F (INCH)	0.354
E (INCH)	0.650
H (INCH)	0.315
M (INCH)	0.689
L (INCH)	1.378
N (INCH)	0.827
SW (INCH)	0.315
SW1 (INCH)	0.472