

## Mod. ND6440 - Series ND6000 inch fittings

Product code: ND6440 04-06

Datasheet creation date: 10/03/2025 09:22

Check the most updated document online [click here](#)

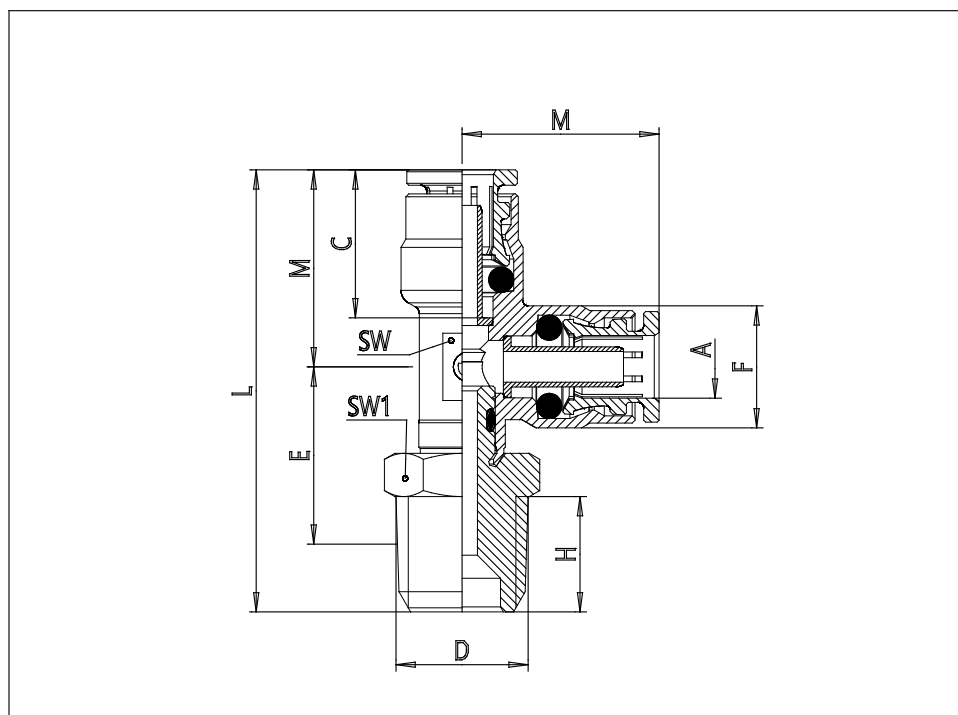


### ■ TECHNICAL DATA

Ident number	ND6440 04-06
--------------	--------------

## Mod. ND6440 - Series ND6000 inch fittings

Product code: ND6440 04-06



### **DIMENSIONS**

<b>A (INCH)</b>	1/4
<b>NPTF (INCH)</b>	3/8
<b>C (INCH)</b>	0.606
<b>F (INCH)</b>	0.500
<b>E (INCH)</b>	0.689
<b>H (INCH)</b>	0.472
<b>M (INCH)</b>	0.807
<b>L (INCH)</b>	1.831
<b>SW (INCH)</b>	0.354
<b>SW1 (INCH)</b>	0.748