

Mod. ND6440 - Series ND6000 inch fittings

Product code: ND6440 06-04

Datasheet creation date: 10/03/2025 09:22

Check the most updated document online [click here](#)

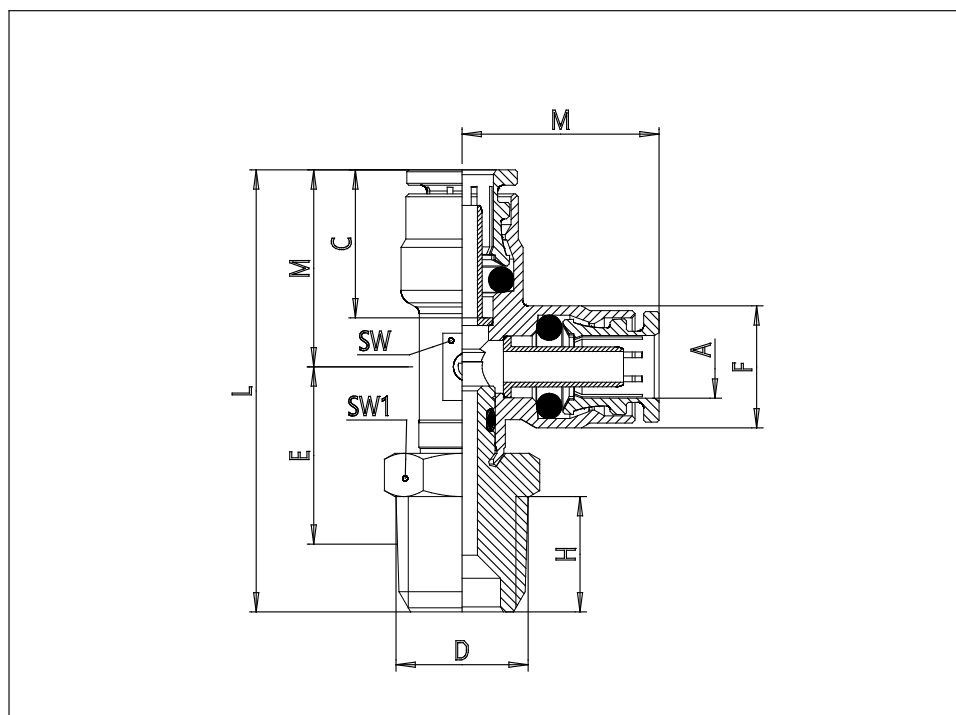


■ TECHNICAL DATA

Ident number	ND6440 06-04
--------------	--------------

Mod. ND6440 - Series ND6000 inch fittings

Product code: ND6440 06-04



DIMENSIONS

A (INCH)	3/8
NPTF (INCH)	1/4
C (INCH)	0.787
F (INCH)	0.650
E (INCH)	0.827
H (INCH)	0.472
M (INCH)	1.043
L (INCH)	2.165
SW (INCH)	0.512
SW1 (INCH)	0.551