

Mod. ND6463 - Series ND6000 inch fittings

Product code: ND6463 04-04

Datasheet creation date: 10/03/2025 09:22

Check the most updated document online [click here](#)

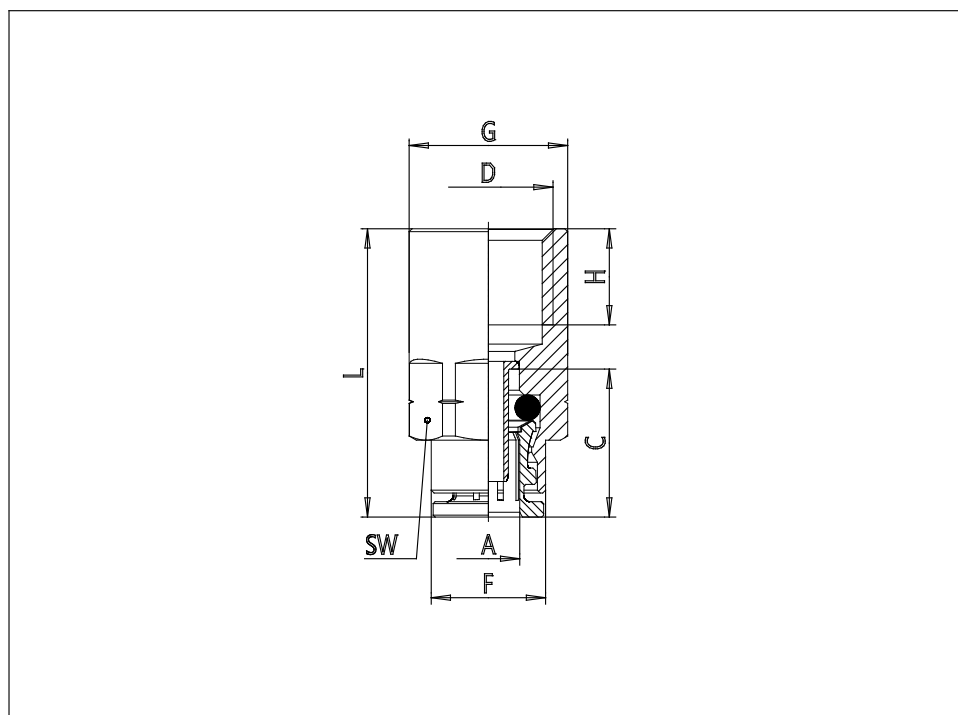


■ TECHNICAL DATA

Ident number	ND6463 04-04
--------------	--------------

Mod. ND6463 - Series ND6000 inch fittings

Product code: ND6463 04-04



DIMENSIONS

A (INCH)	1/4
NPTF (INCH)	1/4
C (INCH)	0.606
F (INCH)	0.469
G (INCH)	0.650
H (INCH)	0.394
L (INCH)	1.181
SW (INCH)	0.591