

Mod. ND6463 - Series ND6000 inch fittings

Product code: ND6463 06-04

Datasheet creation date: 10/03/2025 09:23

Check the most updated document online [click here](#)

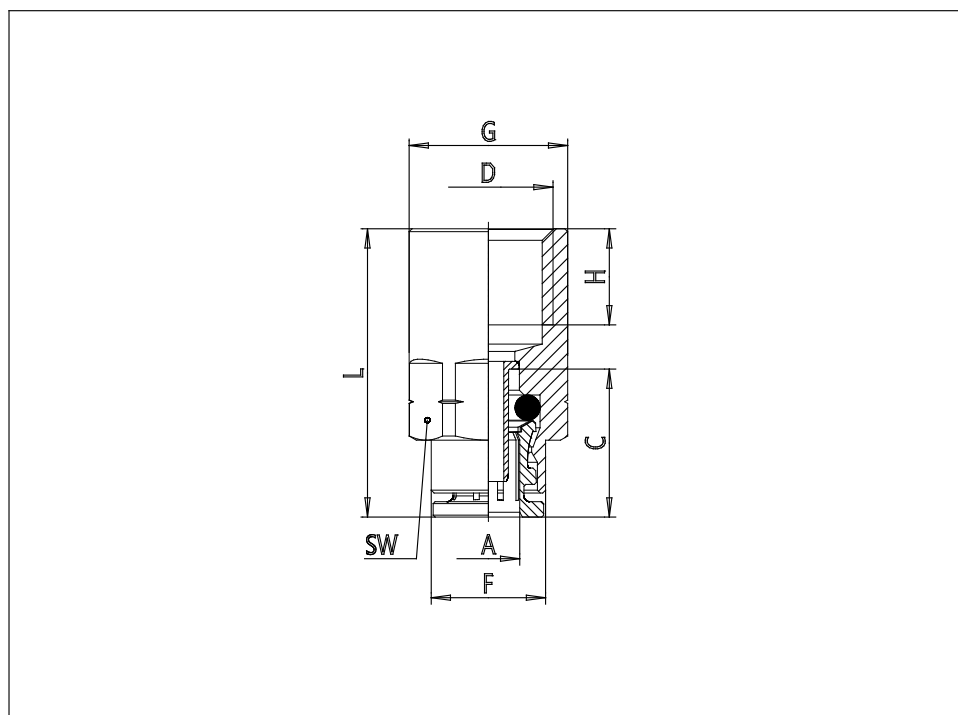


■ TECHNICAL DATA

Ident number	ND6463 06-04
--------------	--------------

Mod. ND6463 - Series ND6000 inch fittings

Product code: ND6463 06-04



■ DIMENSIONS

A (INCH)	3/8
NPTF (INCH)	1/4
C (INCH)	0.787
F (INCH)	0.606
G (INCH)	0.728
H (INCH)	0.394
L (INCH)	1.339
SW (INCH)	0.669