

Mod. ND6510 - Series ND6000 inch fittings

Product code: ND6510 04-02

Datasheet creation date: 10/03/2025 09:23

Check the most updated document online [click here](#)

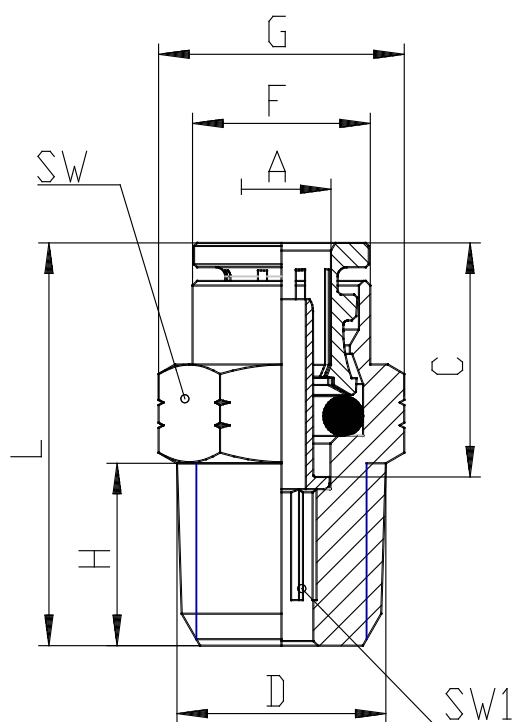


TECHNICAL DATA

Ident number	ND6510 04-02
--------------	--------------

Mod. ND6510 - Series ND6000 inch fittings

Product code: ND6510 04-02



DIMENSIONS

A (INCH)	1/4
NPTF (INCH)	1/8
C (INCH)	0.606
F (INCH)	0.461
G (INCH)	0.547
H (INCH)	0.315
I (INCH)	0.165
L (INCH)	0.925
SW (INCH)	0.472
SW1 (INCH)	0.157