

## Mod. ND6510 - Series ND6000 inch fittings

Product code: ND6510 08-06

Datasheet creation date: 10/03/2025 09:23

Check the most updated document online [click here](#)

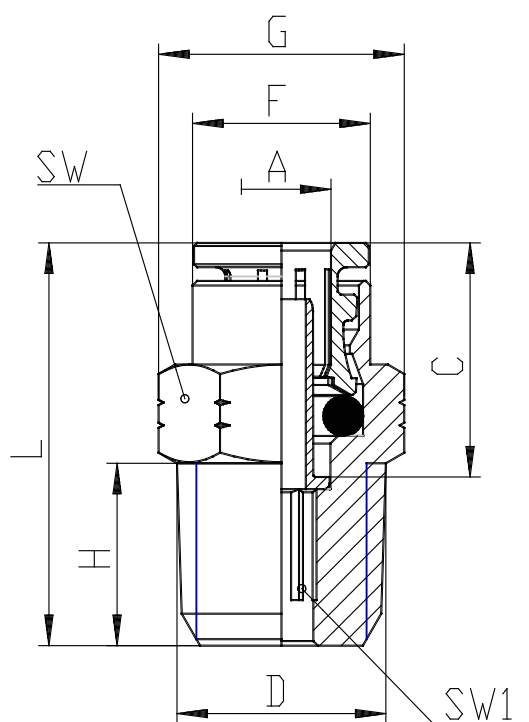


### TECHNICAL DATA

Ident number	ND6510 08-06
--------------	--------------

## Mod. ND6510 - Series ND6000 inch fittings

Product code: ND6510 08-06



### **DIMENSIONS**

<b>A (INCH)</b>	1/2
<b>NPTF (INCH)</b>	3/8
<b>C (INCH)</b>	0.787
<b>F (INCH)</b>	0.736
<b>G (INCH)</b>	0.866
<b>H (INCH)</b>	0.472
<b>I (INCH)</b>	0.362
<b>L (INCH)</b>	1.319
<b>SW (INCH)</b>	0.748
<b>SW1 (INCH)</b>	0.394