

## Mod. ND6510 - Series ND6000 inch fittings

Product code: ND6512 04-32

Datasheet creation date: 10/03/2025 09:23

Check the most updated document online [click here](#)

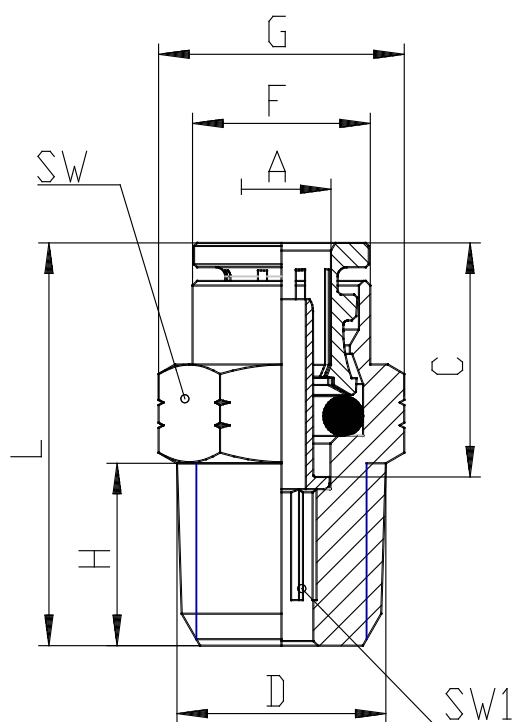


### TECHNICAL DATA

Ident number	ND6512 04-32
--------------	--------------

## Mod. ND6510 - Series ND6000 inch fittings

Product code: ND6512 04-32



### DIMENSIONS

<b>A (INCH)</b>	1/4
<b>NPTF (INCH)</b>	10/32 UNF
<b>C (INCH)</b>	0.606
<b>F (INCH)</b>	0.461
<b>G (INCH)</b>	0.520
<b>H (INCH)</b>	0.157
<b>I (INCH)</b>	0.000
<b>L (INCH)</b>	0.866
<b>SW (INCH)</b>	0.472
<b>SW1 (INCH)</b>	0.079