

Mod. ND6520 - Series ND6000 inch fittings

Product code: ND6520 04-02

Datasheet creation date: 10/03/2025 09:23

Check the most updated document online [click here](#)

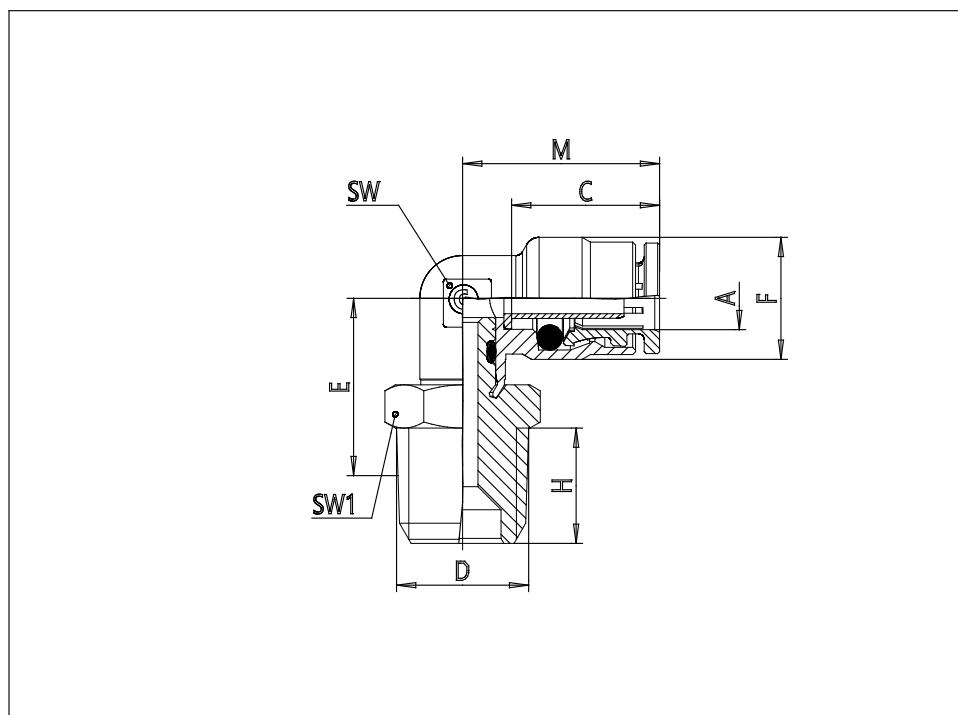


■ TECHNICAL DATA

Ident number	ND6520 04-02
--------------	--------------

Mod. ND6520 - Series ND6000 inch fittings

Product code: ND6520 04-02



DIMENSIONS

A (INCH)	1/4
NPTF (INCH)	1/8
C (INCH)	0.606
F (INCH)	0.500
H (INCH)	0.315
M (INCH)	0.807
SW (INCH)	0.354
SW1 (INCH)	0.472