

Flexible suction pad mountings - Series NPF

Product code: NPF-FM-1/4-M10X1,25

Datasheet creation date: 07/03/2025 16:25

Check the most updated document online [click here](#)

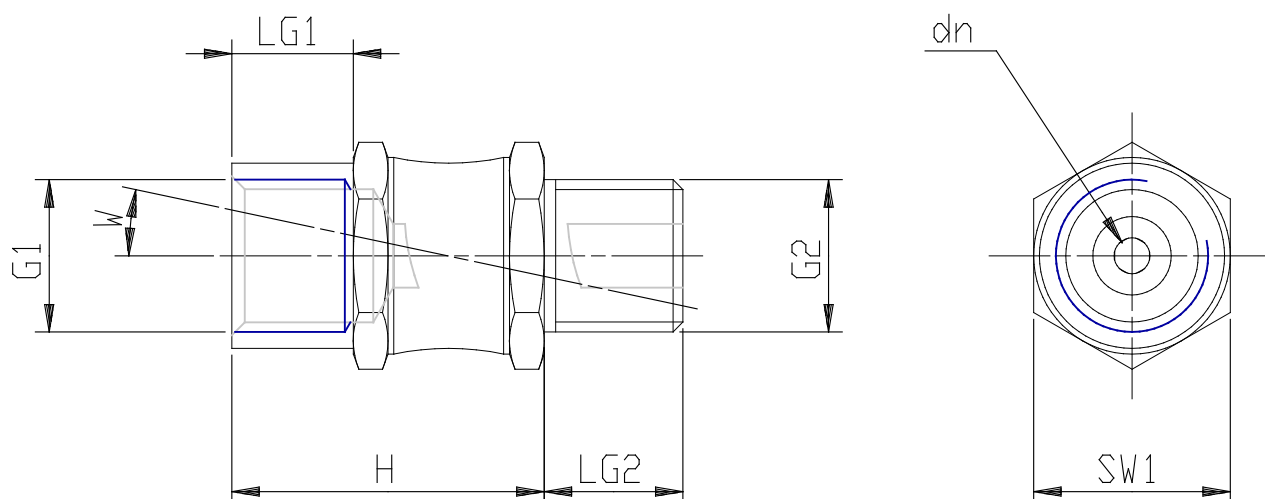


■ TECHNICAL DATA

Mod.	NPF-FM-1/4-M10X1,25
------	---------------------

Flexible suction pad mountings - Series NPF

Product code: NPF-FM-1/4-M10X1,25



DIMENSIONS

DN (mm)	2.8
G1	G1/4 F
G2	M10X1,25 M
H (mm)	27
LG1 (mm)	10.5
LG2 (mm)	8
SW1 (mm)	17
W (°)	12
Vertical load (N)	500
Torque (Nm)	8
Weight (g)	26