

Spring plungers - Series NPM - NPR (non rotating)

Product code: NPM-FF-M3-05

Datasheet creation date: 07/03/2025 16:25

Check the most updated document online [click here](#)

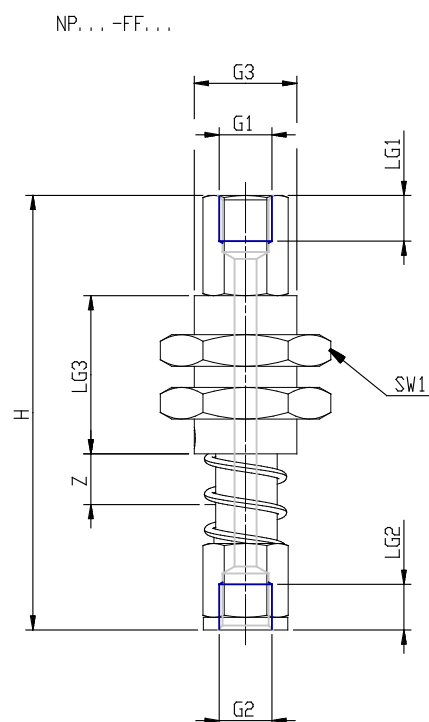


TECHNICAL DATA

| | |
|------|--------------|
| Mod. | NPM-FF-M3-05 |
|------|--------------|

Spring plungers - Series NPM - NPR (non rotating)

Product code: NPM-FF-M3-05



DIMENSIONS

| | |
|-----------------|---------|
| G1 | M3F |
| G2 | M3F |
| G3 | M6X0.75 |
| H (mm) | 33.5 |
| LG1 (mm) | 3.8 |
| LG2 (mm) | 6.0 |
| LG3 (mm) | 10 |
| SW1 (mm) | 10 |
| Z (mm) | 5 |