

## Spring plungers - Series NPM - NPR (non rotating)

Product code: NPM-FF-M5-20

Datasheet creation date: 07/03/2025 16:25

Check the most updated document online [click here](#)

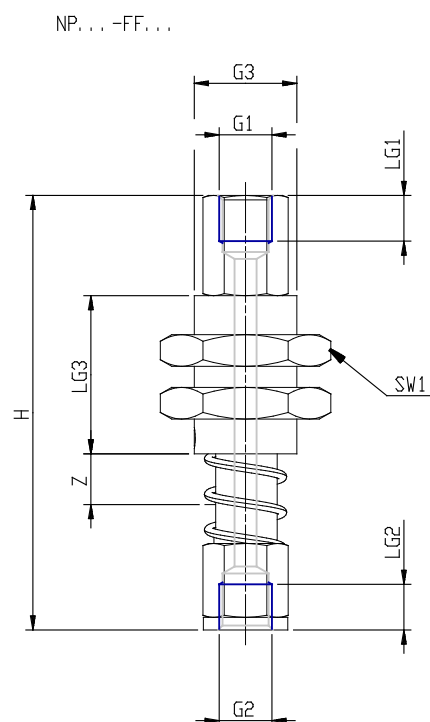


### TECHNICAL DATA

Mod.	NPM-FF-M5-20
------	--------------

## Spring plungers - Series NPM - NPR (non rotating)

Product code: NPM-FF-M5-20



### DIMENSIONS

<b>G1</b>	M5F
<b>G2</b>	M5F
<b>G3</b>	G1/8
<b>H (mm)</b>	59.2
<b>LG1 (mm)</b>	5.5
<b>LG2 (mm)</b>	6.2
<b>LG3 (mm)</b>	15
<b>SW1 (mm)</b>	14
<b>Z (mm)</b>	20