

Spring plungers - Series NPM - NPR (non rotating)

Product code: NPM-FM-1/8-15

Datasheet creation date: 07/03/2025 16:25

Check the most updated document online [click here](#)

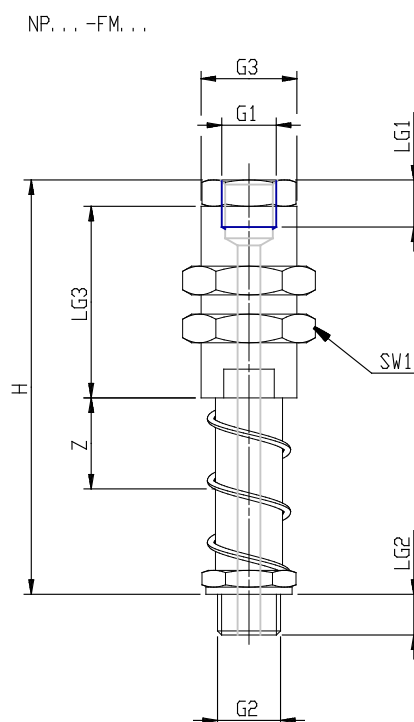


TECHNICAL DATA

Mod.	NPM-FM-1/8-15
------	---------------

Spring plungers - Series NPM - NPR (non rotating)

Product code: NPM-FM-1/8-15



DIMENSIONS

G1	G1/8
G2	G1/8 M
G3	M16X1
H (mm)	80.0
LG1 (mm)	8.0
LG2 (mm)	6.5
LG3 (mm)	30
SW1 (mm)	22
Z (mm)	15