

Spring plungers - Series NPM - NPR (non rotating)

Product code: NPR-FF-M3-05

Datasheet creation date: 07/03/2025 16:25

Check the most updated document online [click here](#)

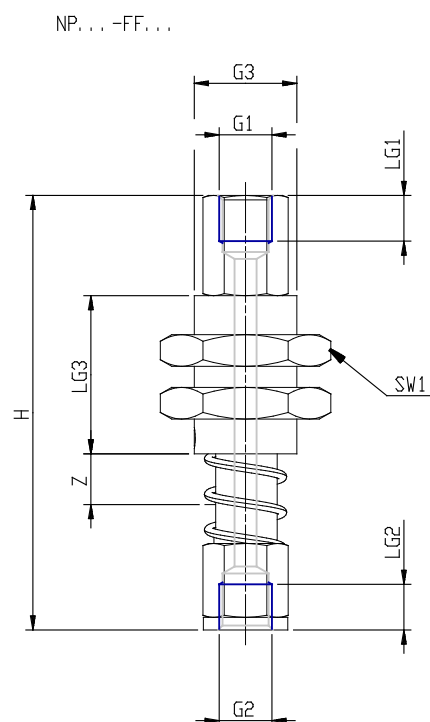


TECHNICAL DATA

Mod.	NPR-FF-M3-05
------	--------------

Spring plungers - Series NPM - NPR (non rotating)

Product code: NPR-FF-M3-05



DIMENSIONS

G1	M3F
G2	M3F
G3	M6X0.75
H (mm)	33.5
LG1 (mm)	3.8
LG2 (mm)	6.0
LG3 (mm)	10
SW1 (mm)	10
Z (mm)	5