

Spring plungers - Series NPM - NPR (non rotating)

Product code: NPR-FF-M5-10

Datasheet creation date: 07/03/2025 16:25

Check the most updated document online [click here](#)

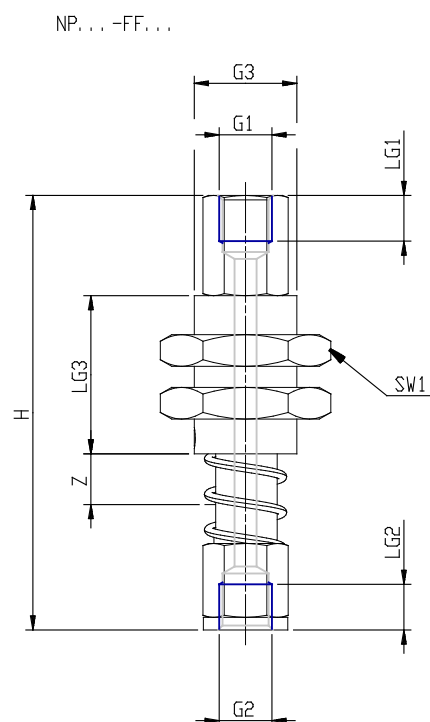


TECHNICAL DATA

Mod.	NPR-FF-M5-10
------	--------------

Spring plungers - Series NPM - NPR (non rotating)

Product code: NPR-FF-M5-10



DIMENSIONS

G1	M5F
G2	M5F
G3	G1/8
H (mm)	47.2
LG1 (mm)	5.5
LG2 (mm)	6.2
LG3 (mm)	15
SW1 (mm)	14
Z (mm)	10