

Foot mount/flange - Mod. P

Product code: P-42-40

Datasheet creation date: 07/03/2025 15:59

Check the most updated document online [click here](#)

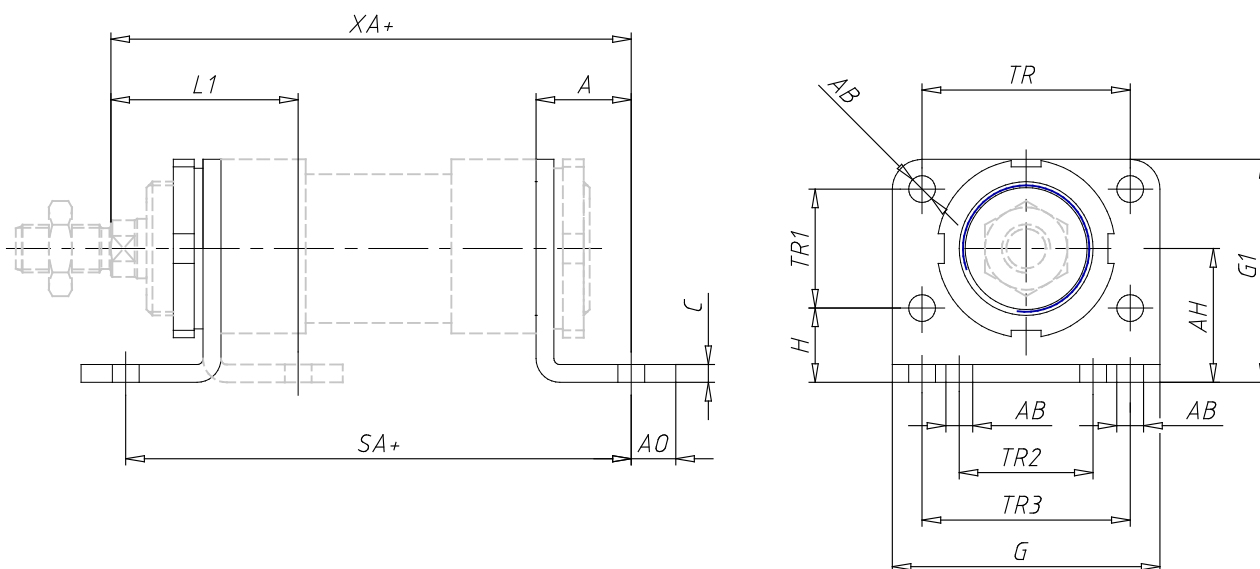


■ TECHNICAL DATA

Mod.	P-42-40
------	---------

Foot mount/flange - Mod. P

Product code: P-42-40



DIMENSIONS

L1 (mm)	35
SA (mm)	161
XA (mm)	163
A (mm)	28
AB (mm)	9
AO (mm)	15
AH (mm)	36
C (mm)	5
G (mm)	80
G1 (mm)	61
TR (mm)	60
TR1 (mm)	30
TR2 (mm)	36
TR3 (mm)	60
H (mm)	21