

Pusher kit - Mod. P-CGZT

Product code: P-CGZT-160

Datasheet creation date: 07/03/2025 16:10

Check the most updated document online [click here](#)

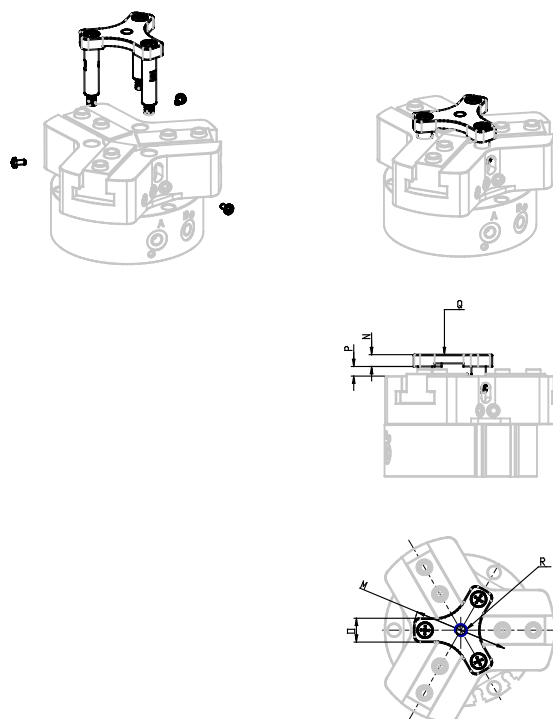


TECHNICAL DATA

Mod. (mm)	P-CGZT-160
-----------	------------

Pusher kit - Mod. P-CGZT

Product code: P-CGZT-160



DIMENSIONS

M (mm)	99.0
N (mm)	9.5
O (mm)	25.0
P (mm)	6.0
Q (mm)	185N
R	M10