

Plate Mod. P-RTC - Series RTC

Product code: P-RTC-150

Datasheet creation date: 07/03/2025 16:09

Check the most updated document online [click here](#)

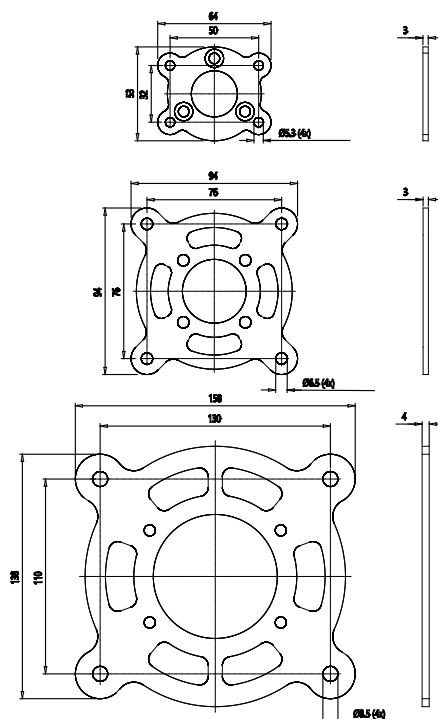


■ TECHNICAL DATA

Mod.	P-RTC-150
------	-----------

Plate Mod. P-RTC - Series RTC

Product code: P-RTC-150



DIMENSIONS

Mod.	P-RTC-150
------	-----------