

Elettrovalvole a comando diretto - Serie P

Product code: P000-303-F52-OX2

Datasheet creation date: 10/03/2025 11:38

Check the most updated document online [click here](#)

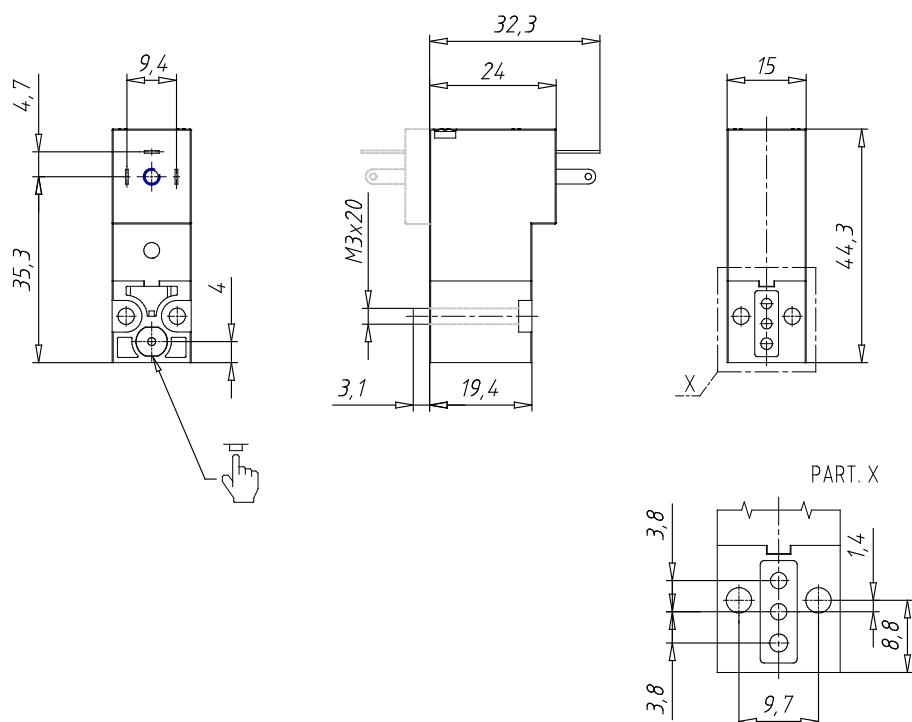


TECHNICAL DATA

Series	P
Body execution	0 = interface
Number of seats	00 = ISO 15218 interface
Number of ways - Functions	3 = 3/2 way - NC
Valve connections	0 = ISO 15218 interface
Orifice diameter	3 = Ø 1.5 mm
Materials	F = PBT body - FKM seals
Electrical connection	5 = industrial standard (9.4 mm)
Voltage - Absorbed power	2 = 12 V DC - 2 W
Fixing	= fixing screws for metal
Options	OX2 = for oxygen (non-volatile residue less than 33 mg / m ²)

Elettrovalvole a comando diretto - Serie P

Product code: P000-303-F52-OX2



DIMENSIONS

Series	P
Body execution	0 = interface
Number of seats	00 = ISO 15218 interface
Number of ways - Functions	3 = 3/2 way - NC
Valve connections	0 = ISO 15218 interface
Orifice diameter	3 = Ø 1.5 mm
Materials	F = PBT body - FKM seals
Electrical connection	5 = industrial standard (9.4 mm)
Voltage - Absorbed power	2 = 12 V DC - 2 W
Fixing	= fixing screws for metal
Options	OX2 = for oxygen (non-volatile residue less than 33 mg / m ²)