

Valve position cap - Series P

Product code: P000-TP

Datasheet creation date: 07/03/2025 16:14

Check the most updated document online [click here](#)

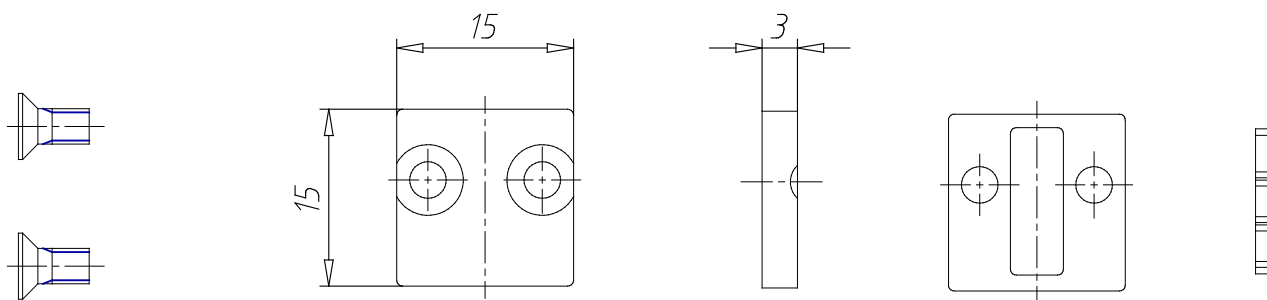


TECHNICAL DATA

Mod.	P000-TP
------	---------

Valve position cap - Series P

Product code: P000-TP



DIMENSIONS

Mod.	P000-TP
------	---------