

Mod. P6440 - Fittings Serie 6000 inch

Product code: P6440 06-08

Datasheet creation date: 10/03/2025 10:28

Check the most updated document online [click here](#)

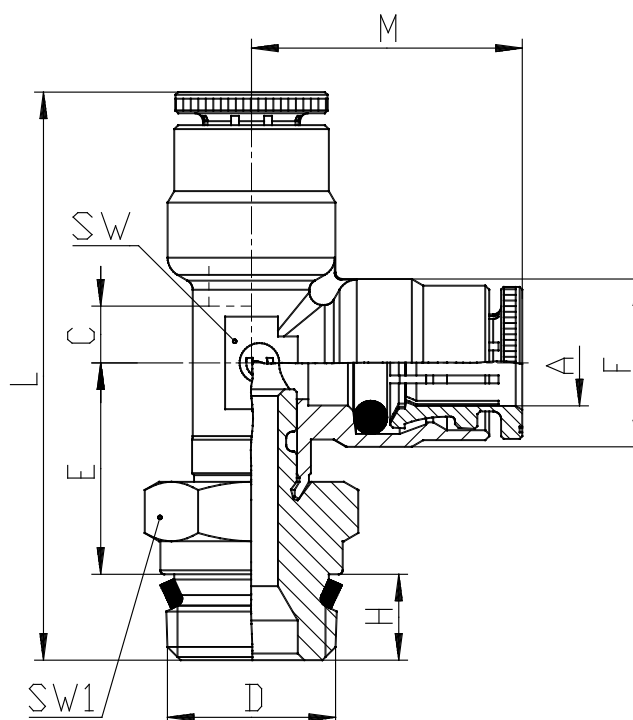


TECHNICAL DATA

Mod.	P6440 06-08
------	-------------

Mod. P6440 - Fittings Serie 6000 inch

Product code: P6440 06-08



DIMENSIONS

A	3/8
D	1/2
C (INCH)	0.236
E (INCH)	0.807
F (INCH)	0.650
H (INCH)	0.335
M (INCH)	1.024
L (INCH)	2.165
SW (INCH)	0.512
SW1 (INCH)	0.866