

Mod. P6520 - Fittings Serie 6000 inch

Product code: P6520 05-02

Datasheet creation date: 10/03/2025 10:31

Check the most updated document online [click here](#)

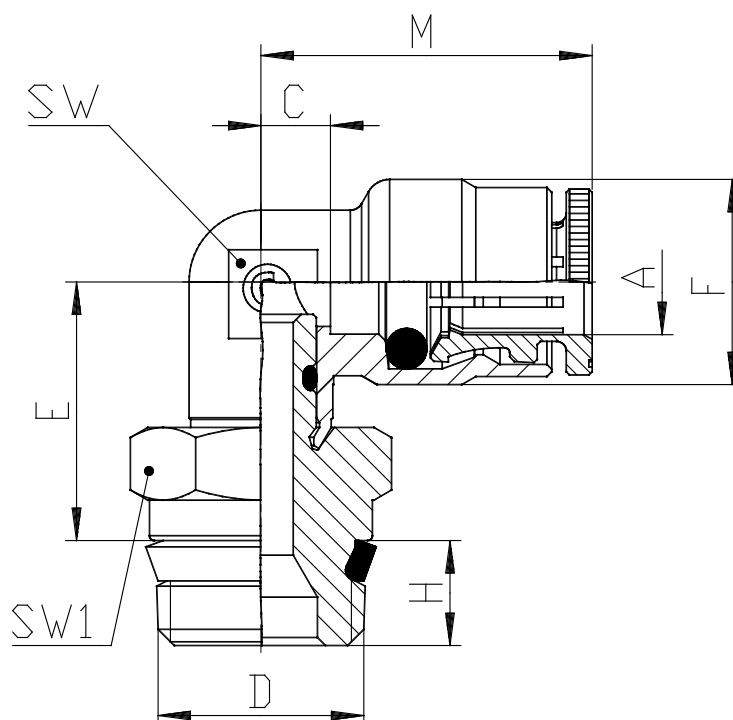


TECHNICAL DATA

Mod.	P6520 05-02
------	-------------

Mod. P6520 - Fittings Serie 6000 inch

Product code: P6520 05-02



DIMENSIONS

A	5/16
D	1/8
C (INCH)	0.197
E (INCH)	0.642
F (INCH)	0.559
H (INCH)	0.197
M (INCH)	0.866
SW (INCH)	0.433
SW1 (INCH)	0.472