

Mounting brackets - Mod. PCF-E520

Product code: PCF-E520

Datasheet creation date: 07/03/2025 16:24

Check the most updated document online [click here](#)

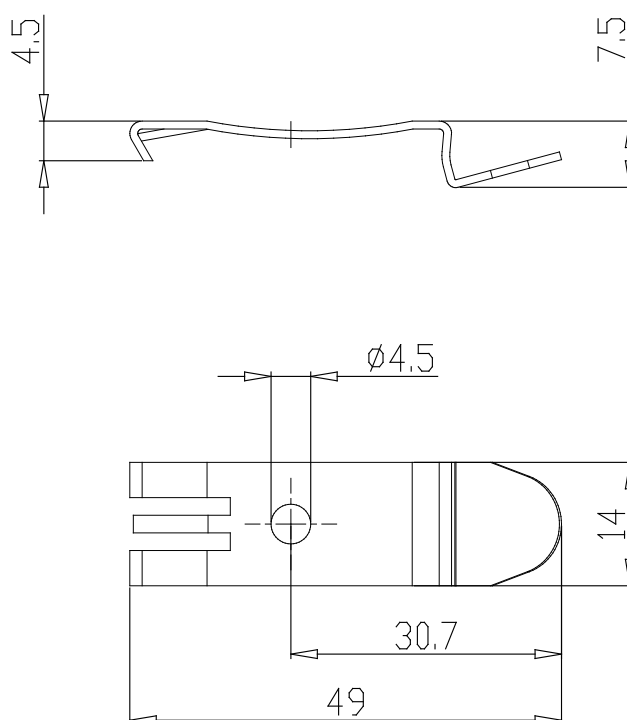


TECHNICAL DATA

Mod.	PCF-E520
------	----------

Mounting brackets - Mod. PCF-E520

Product code: PCF-E520



DIMENSIONS

Mod.	PCF-E520
------	----------