

## Mounting brackets - Mod. PCF-EN531

Product code: PCF-EN531

Datasheet creation date: 07/03/2025 16:24

Check the most updated document online [click here](#)

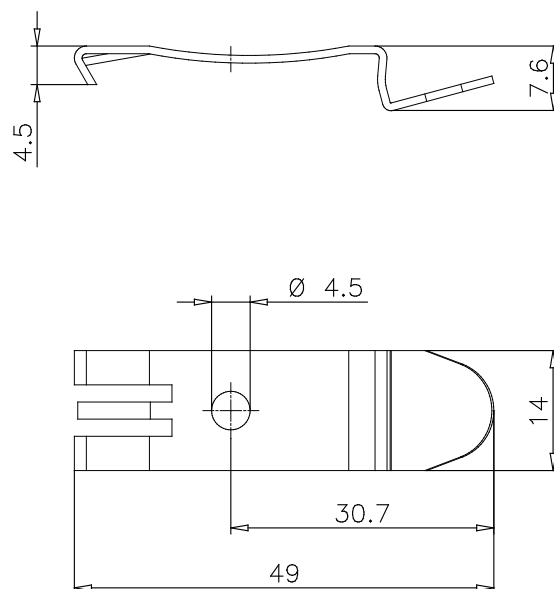


### TECHNICAL DATA

Mod.	PCF-EN531
------	-----------

## Mounting brackets - Mod. PCF-EN531

Product code: PCF-EN531



### **DIMENSIONS**

Mod.	PCF-EN531
------	-----------