

Mounting brackets - Series K8P

Product code: PCF-K8P

Datasheet creation date: 10/03/2025 10:55

Check the most updated document online [click here](#)

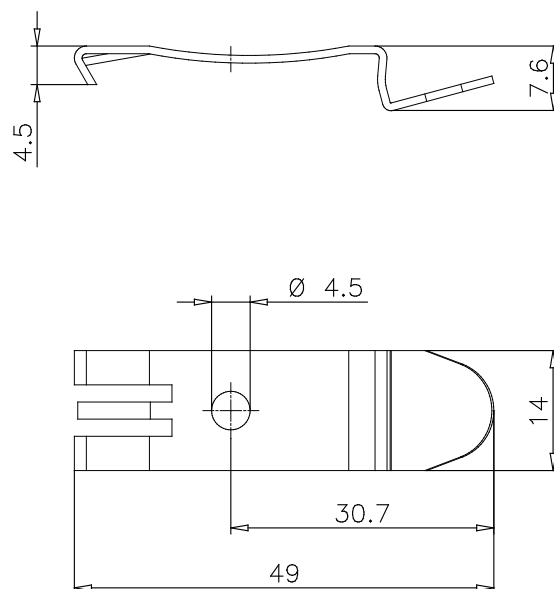


TECHNICAL DATA

| | |
|------|---------|
| Mod. | PCF-K8P |
|------|---------|

Mounting brackets - Series K8P

Product code: PCF-K8P



DIMENSIONS

| | |
|------|---------|
| Mod. | PCF-K8P |
|------|---------|