

Slot nut 8 with flexible flap - Mod. PCV

Product code: PCV-5E-C8-M5

Datasheet creation date: 07/03/2025 15:39

Check the most updated document online [click here](#)

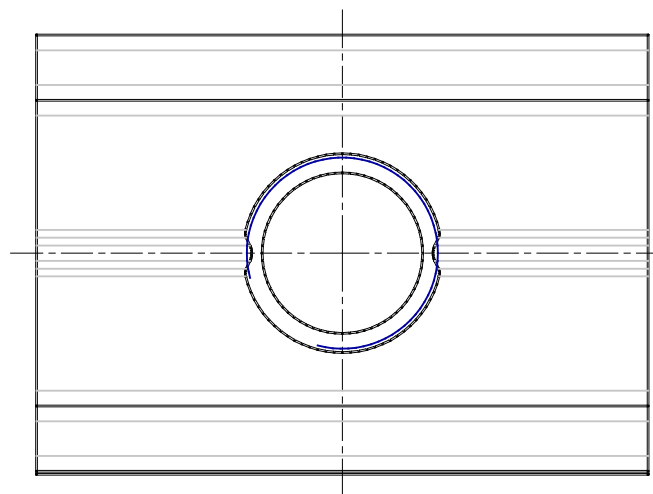
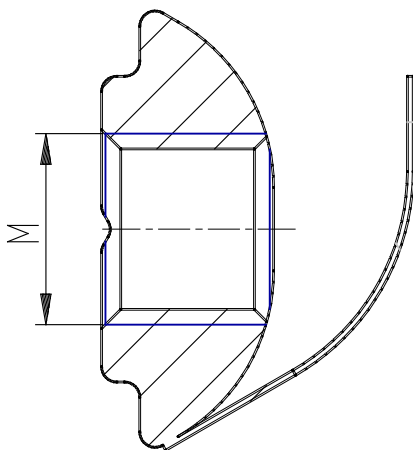


TECHNICAL DATA

Mod.	PCV-5E-C8-M5
------	--------------

Slot nut 8 with flexible flap - Mod. PCV

Product code: PCV-5E-C8-M5



DIMENSIONS

Mod.	PCV-5E-C8-M5
-------------	--------------