

Manometers - Series PG

Product code: PG001-VB-1/8-M

Datasheet creation date: 07/03/2025 16:08

Check the most updated document online [click here](#)

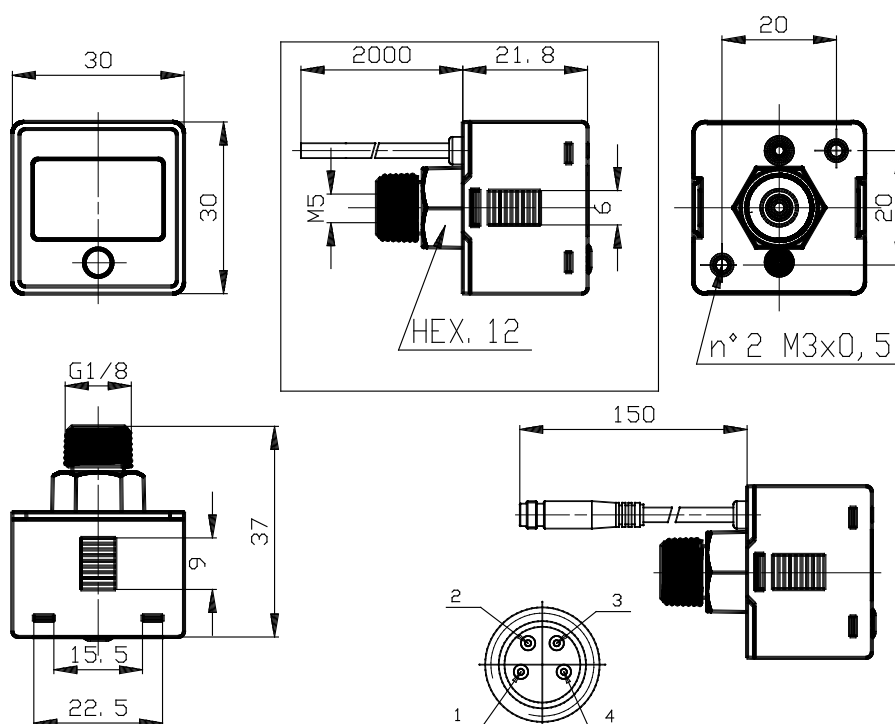


TECHNICAL DATA

Series	PG
Bottom scale	001 = -1 bar
Pressure range	V = vacuum
Lighting	B = back light
Electrical Connection	M = with cable of 150 mm and M8 4-pole connector
Pneumatic connections	1/8 = G 1/8 BSPP; M5

Manometers - Series PG

Product code: PG001-VB-1/8-M



DIMENSIONS

Series	PG
Bottom scale	001 = -1 bar
Pressure range	V = vacuum
Lighting	B = back light
Electrical Connection	M = with cable of 150 mm and M8 4-pole connector
Pneumatic connections	1/8 = G 1/8 BSPP; M5