

Manometers - Series PG

Product code: PG010-PB-1/8-2

Datasheet creation date: 07/03/2025 16:08

Check the most updated document online [click here](#)

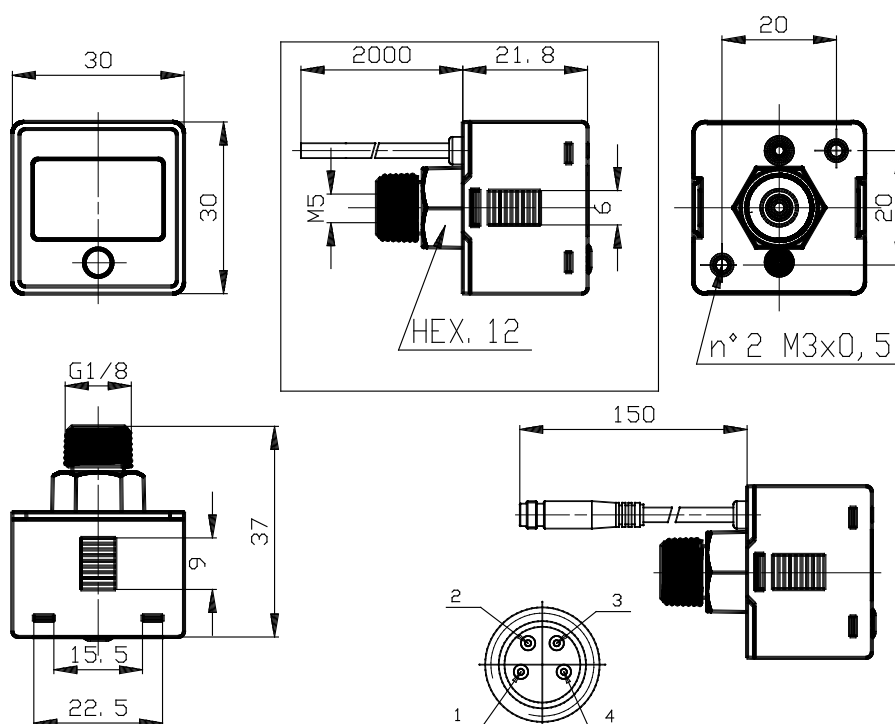


TECHNICAL DATA

Series	PG
Bottom scale	010 = 10 bar
Pressure range	P = pressure
Lighting	B = back light
Electrical Connection	2 = with unshielded 2-pole cable of 2 m
Pneumatic connections	1/8 = G 1/8 BSPP; M5

Manometers - Series PG

Product code: PG010-PB-1/8-2



DIMENSIONS

Series	PG
Bottom scale	010 = 10 bar
Pressure range	P = pressure
Lighting	B = back light
Electrical Connection	2 = with unshielded 2-pole cable of 2 m
Pneumatic connections	1/8 = G 1/8 BSPP; M5