

## Manometers - Series PG

Product code: PG010-PB-1/8-M

Datasheet creation date: 07/03/2025 16:08

Check the most updated document online [click here](#)

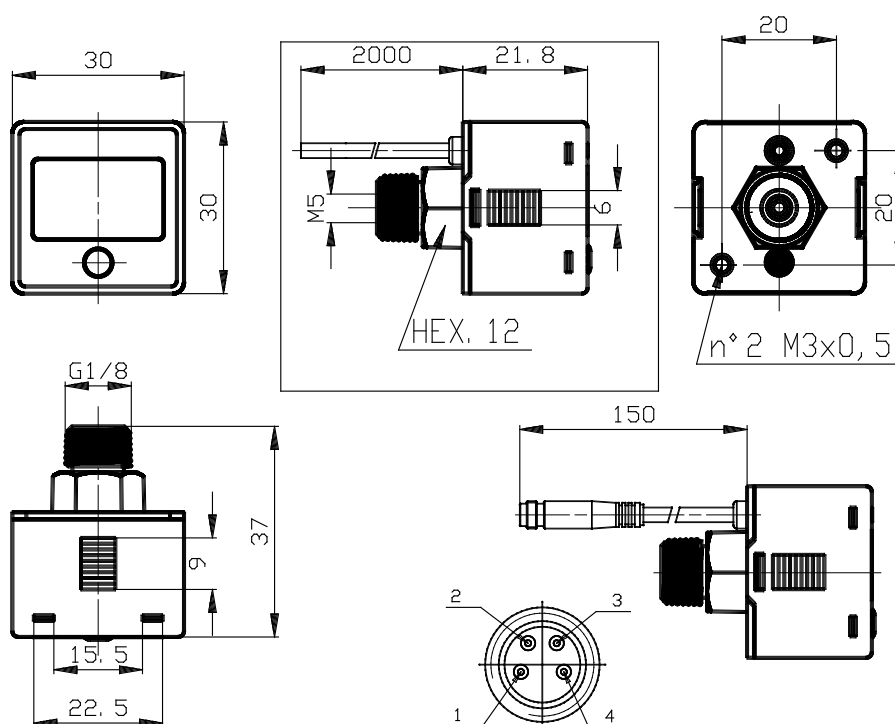


### TECHNICAL DATA

<b>Series</b>	PG
<b>Bottom scale</b>	010 = 10 bar
<b>Pressure range</b>	P = pressure
<b>Lighting</b>	B = back light
<b>Electrical Connection</b>	M = with cable of 150 mm and M8 4-pole connector
<b>Pneumatic connections</b>	1/8 = G 1/8 BSPP; M5

## Manometers - Series PG

Product code: PG010-PB-1/8-M



### DIMENSIONS

<b>Series</b>	PG
<b>Bottom scale</b>	010 = 10 bar
<b>Pressure range</b>	P = pressure
<b>Lighting</b>	B = back light
<b>Electrical Connection</b>	M = with cable of 150 mm and M8 4-pole connector
<b>Pneumatic connections</b>	1/8 = G 1/8 BSPP; M5