

Kit for parallel connection - Mod. PM

Product code: PM-3E-20-0017

Datasheet creation date: 07/03/2025 15:38

Check the most updated document online [click here](#)

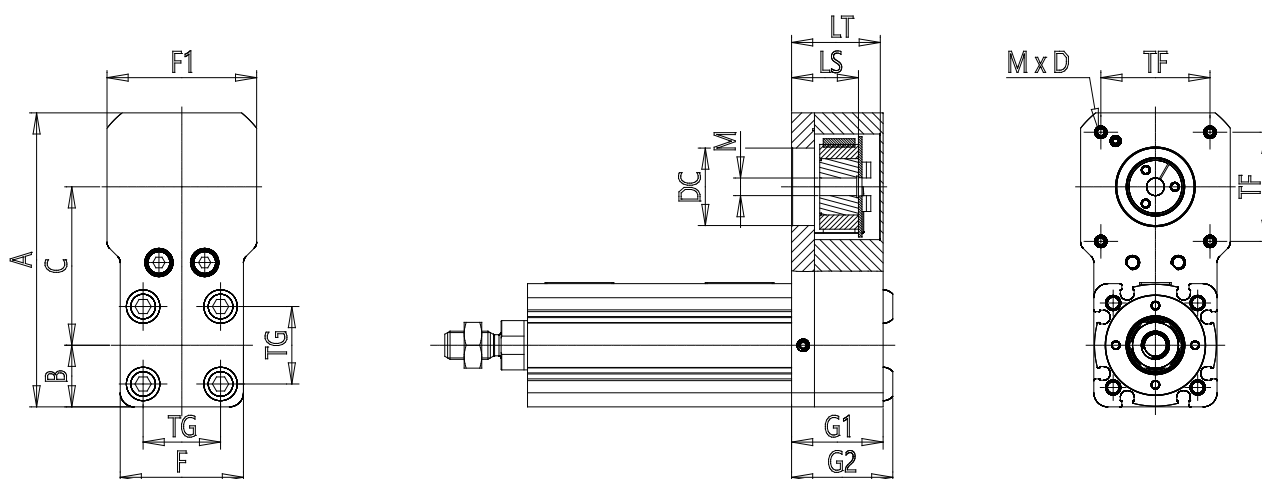


TECHNICAL DATA

Mod.	PM-3E-20-0017
Motor	MTS-17-...
Protection	IP40

Kit for parallel connection - Mod. PM

Product code: PM-3E-20-0017



DIMENSIONS

A (mm)	83.5
B (mm)	17.5
C (mm)	45.0
F (mm)	35
F1 (mm)	42.5
TG (mm)	22.0
G1 (mm)	26
G2 (mm)	29.0
DC (mm)	22.0
M (mm)	5.00
LS (mm)	20
LT (mm)	25.0
TF (mm)	31.00
MxD	M3x4.5
J (kgmm²)	3.96
Weight (g)	218