

Kit for parallel connection - Mod. PM

Product code: PM-3E-32-0100

Datasheet creation date: 07/03/2025 15:39

Check the most updated document online [click here](#)

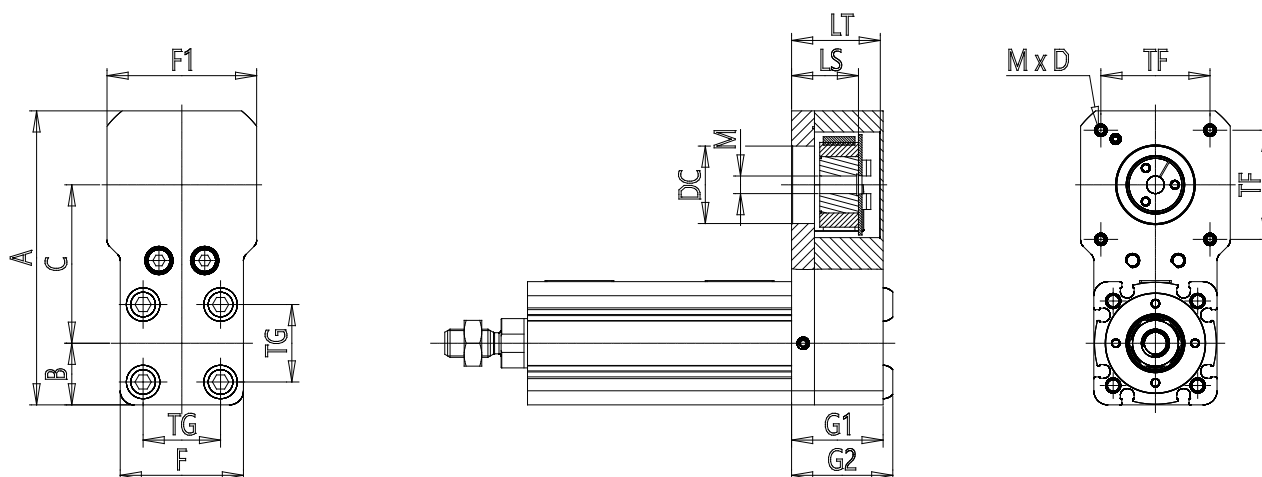


■ TECHNICAL DATA

Mod.	PM-3E-32-0100
Motor	MTB-010-...
Protection	IP40

Kit for parallel connection - Mod. PM

Product code: PM-3E-32-0100



DIMENSIONS

A (mm)	87.0
B (mm)	21.0
C (mm)	45.0
F (mm)	42
F1 (mm)	42.0
TG (mm)	32.5
G1 (mm)	28
G2 (mm)	31.0
DC (mm)	30.0
M (mm)	8.00
LS (mm)	19
LT (mm)	26.5
TF (mm)	31.82
MxD	M3x6
J (kgmm²)	5.82
Weight (g)	245