

Kit for parallel connection Mod. PM - Mod. PM

Product code: PM-5E-80-0024

Datasheet creation date: 07/03/2025 15:40

Check the most updated document online [click here](#)

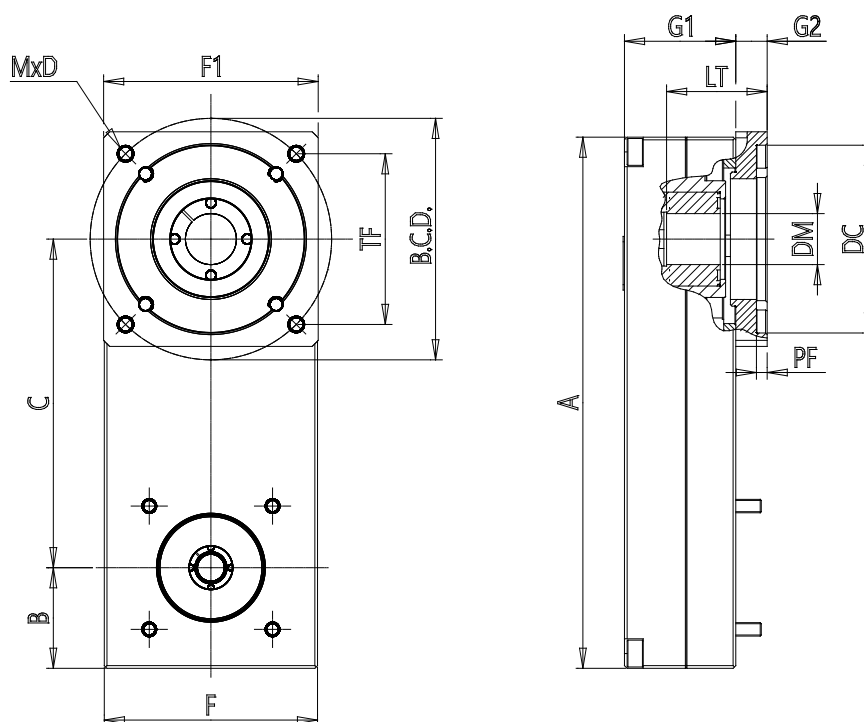


TECHNICAL DATA

Mod.	PM-5E-80-0024
Size	80
Protection	IP40
Weight (g)	1180
Efficiency	0.62

Kit for parallel connection Mod. PM - Mod. PM

Product code: PM-5E-80-0024



DIMENSIONS

DC (mm)	38.1
DM (mm)	8
LT (mm)	18.0
BCD (mm)	0
TF (mm)	47.1
MxD	M4x10
PF (mm)	4.0
F (mm)	79.5
F1 (mm)	0
A (mm)	198.0
B (mm)	37.5
C (mm)	120.0
G1 (mm)	41.5
G2 (mm)	0.0
J (kg*mm ²)	175.40