

Pressure switch Series - PM11-SC

Product code: PM11-SCEX

Datasheet creation date: 10/03/2025 02:39

Check the most updated document online [click here](#)

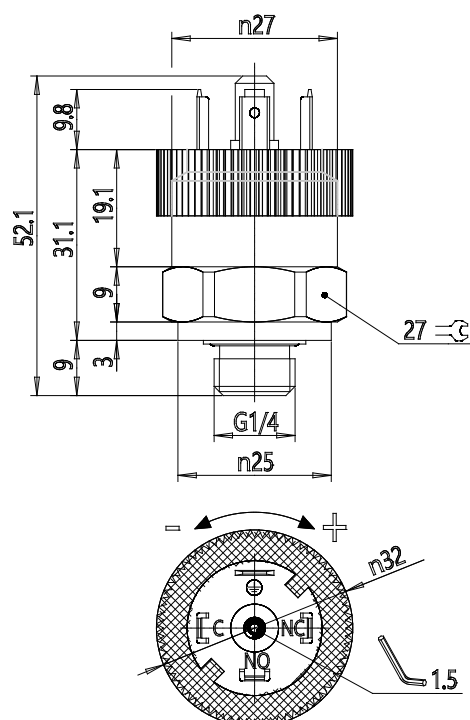


TECHNICAL DATA

Mod.	PM11-SCEX
Function	SC (*)
Max voltage	250V AC - 30V 30V DC
Working temperature	-25°C +85°C
Speed	> 0,1 ms
Regulation range	2 ÷ 10 bar
Max hysteresis	0.8 bar

Pressure switch Series - PM11-SC

Product code: PM11-SCEX



DIMENSIONS

Mod.	PM11-SCEX
Function	SC (*)
Max voltage	250V AC - 30V 30V DC
Working temperature	-25°C +85°C
Speed	> 0,1 ms
Regulation range	2 ÷ 10 bar
Max hysteresis	0.8 bar