

## Electronic proportional regulator - Series PME

Product code: PME1M4-ED5I2P-00

Datasheet creation date: 10/03/2025 10:36

Check the most updated document online [click here](#)

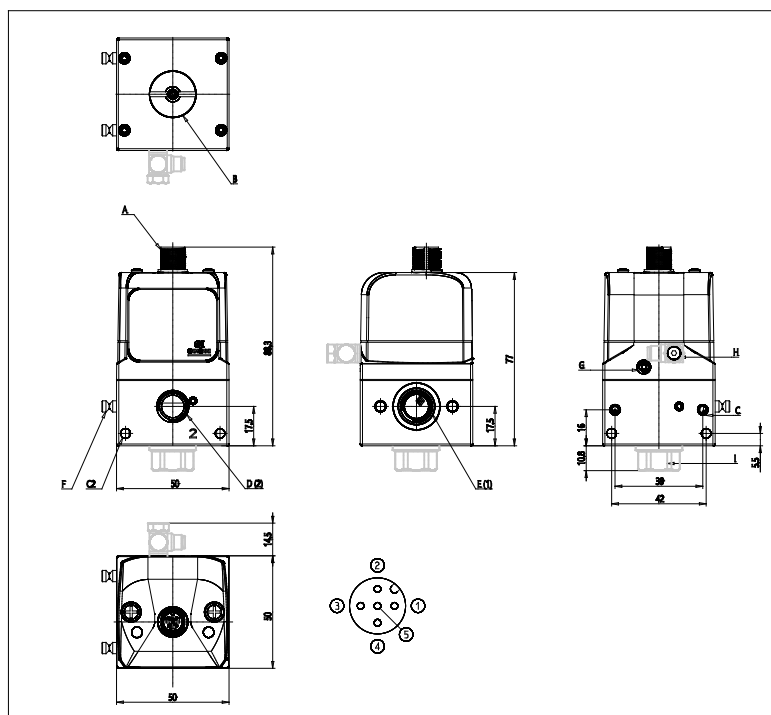


### TECHNICAL DATA

<b>Series</b>	PME
<b>size</b>	1 = Size 1
<b>Connections</b>	M4 = G1/4 Manifold
<b>Diagnostics</b>	E = Without diagnostics and wireless connection
<b>Pressure</b>	D = 0-10,3 bar
<b>Function</b>	5 = Standard, 3-way NC version. with port 3 and pilot exhaust not conveyable
<b>Piloting</b>	I = Internal
<b>Command signal</b>	2 = 0-10 V
<b>Feedback digital output signal</b>	P = pressure switch
<b>Cable length</b>	00 = No cable

## Electronic proportional regulator - Series PME

Product code: PME1M4-ED5I2P-00



### DIMENSIONS

<b>Series</b>	PME
<b>size</b>	1 = Size 1
<b>Connections</b>	M4 = G1/4 Manifold
<b>Diagnostics</b>	E = Without diagnostics and wireless connection
<b>Pressure</b>	D = 0-10,3 bar
<b>Function</b>	5 = Standard, 3-way NC version. with port 3 and pilot exhaust not conveyable
<b>Piloting</b>	I = Internal
<b>Command signal</b>	2 = 0-10 V
<b>Feedback digital output signal</b>	P = pressure switch
<b>Cable length</b>	00 = No cable