

Electronic proportional regulator - Series PME

Product code: PME1M4-ED7I2E-00

Datasheet creation date: 10/03/2025 10:36

Check the most updated document online [click here](#)

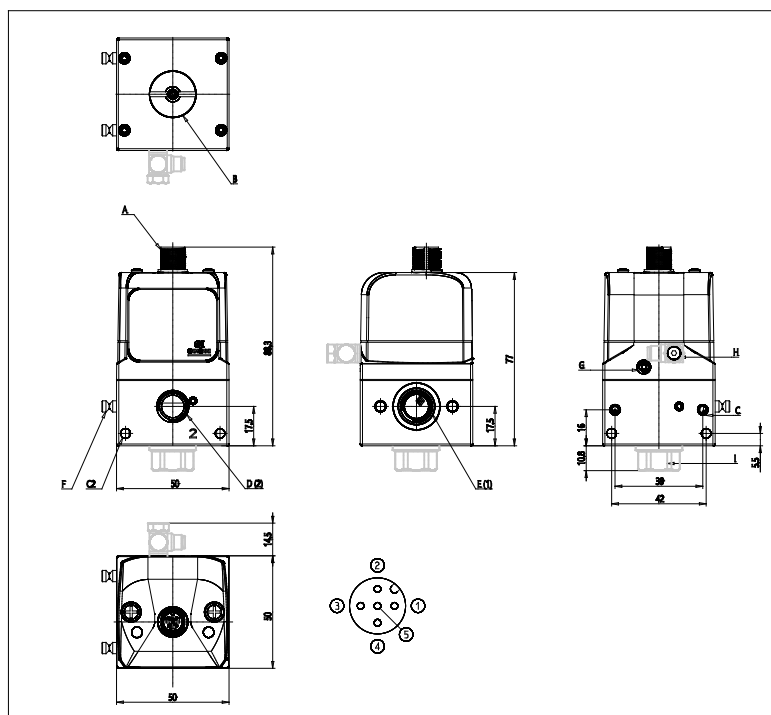


TECHNICAL DATA

| | |
|---------------------------------------|--|
| Series | PME |
| size | 1 = Size 1 |
| Connections | M4 = G1/4 Manifold |
| Diagnostics | E = Without diagnostics and wireless connection |
| Pressure | D = 0-10,3 bar |
| Function | 7 = Standard, 3-way NC version. with port 3 and pilot exhaust conveyable |
| Piloting | I = Internal |
| Command signal | 2 = 0-10 V |
| Feedback digital output signal | E = Error signal |
| Cable length | 00 = No cable |

Electronic proportional regulator - Series PME

Product code: PME1M4-ED7I2E-00



DIMENSIONS

| | |
|---------------------------------------|--|
| Series | PME |
| size | 1 = Size 1 |
| Connections | M4 = G1/4 Manifold |
| Diagnostics | E = Without diagnostics and wireless connection |
| Pressure | D = 0-10,3 bar |
| Function | 7 = Standard, 3-way NC version. with port 3 and pilot exhaust conveyable |
| Piloting | I = Internal |
| Command signal | 2 = 0-10 V |
| Feedback digital output signal | E = Error signal |
| Cable length | 00 = No cable |