

Electronic proportional regulator - Series PME

Product code: PME1M4-EF5I4E-00

Datasheet creation date: 10/03/2025 10:36

Check the most updated document online [click here](#)

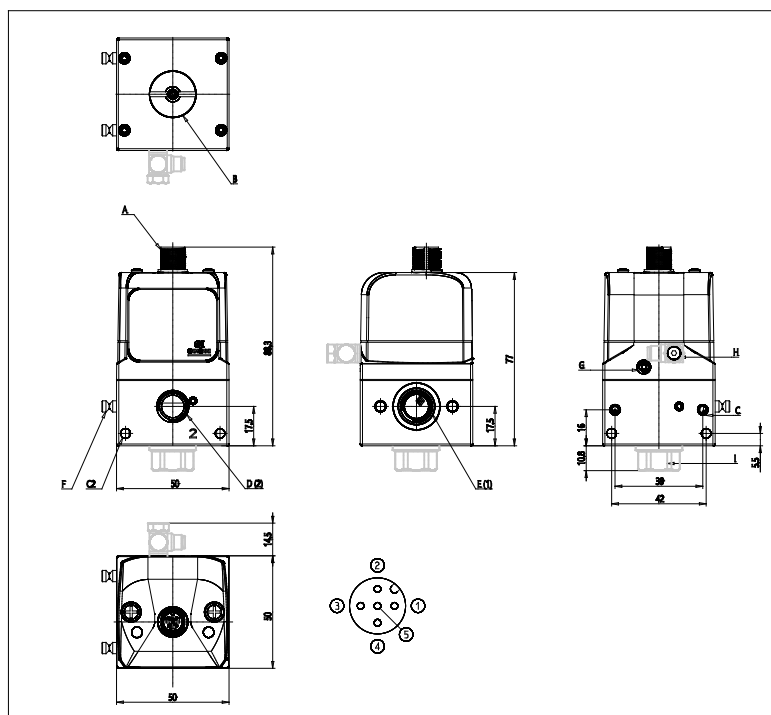


TECHNICAL DATA

Series	PME
size	1 = Size 1
Connections	M4 = G1/4 Manifold
Diagnostics	E = Without diagnostics and wireless connection
Pressure	F = 0-6 bar
Function	5 = Standard, 3-way NC version. with port 3 and pilot exhaust not conveyable
Piloting	I = Internal
Command signal	4 = 4-20 mA
Feedback digital output signal	E = Error signal
Cable length	00 = No cable

Electronic proportional regulator - Series PME

Product code: PME1M4-EF5I4E-00



DIMENSIONS

Series	PME
size	1 = Size 1
Connections	M4 = G1/4 Manifold
Diagnostics	E = Without diagnostics and wireless connection
Pressure	F = 0-6 bar
Function	5 = Standard, 3-way NC version. with port 3 and pilot exhaust not conveyable
Piloting	I = Internal
Command signal	4 = 4-20 mA
Feedback digital output signal	E = Error signal
Cable length	00 = No cable