

Electronic proportional regulator - Series PME

Product code: PME1M4-EF6I4P-00

Datasheet creation date: 10/03/2025 10:36

Check the most updated document online [click here](#)

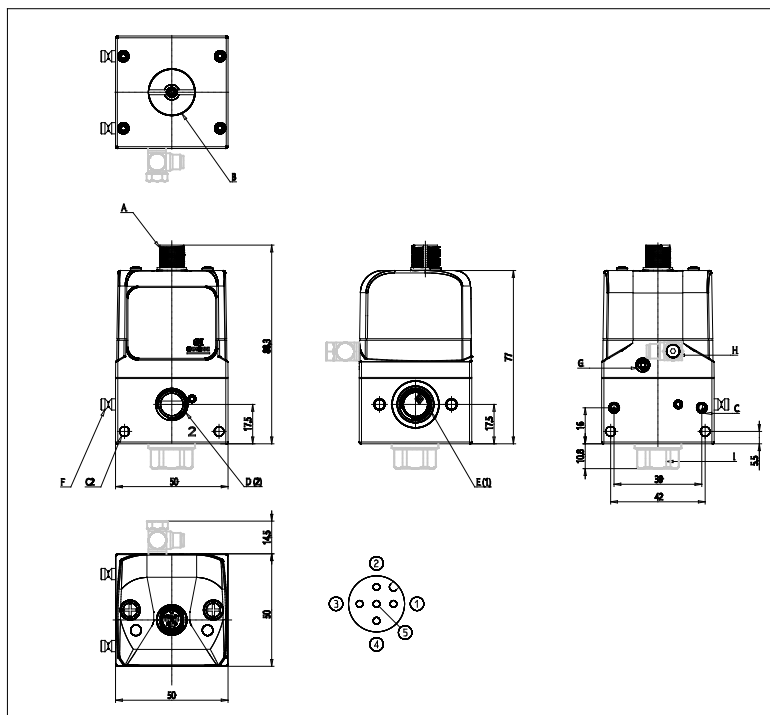


TECHNICAL DATA

Series	PME
size	1 = Size 1
Connections	M4 = G1/4 Manifold
Diagnostics	E = Without diagnostics and wireless connection
Pressure	F = 0-6 bar
Function	6 = Version with integrated exhaust valve, with port 3 and pilot exhaust not conveyable
Piloting	I = Internal
Command signal	4 = 4-20 mA
Feedback digital output signal	P = pressure switch
Cable length	00 = No cable

Electronic proportional regulator - Series PME

Product code: PME1M4-EF6I4P-00



DIMENSIONS

Series	PME
size	1 = Size 1
Connections	M4 = G1/4 Manifold
Diagnostics	E = Without diagnostics and wireless connection
Pressure	F = 0-6 bar
Function	6 = Version with integrated exhaust valve, with port 3 and pilot exhaust not conveyable
Piloting	I = Internal
Command signal	4 = 4-20 mA
Feedback digital output signal	P = pressure switch
Cable length	00 = No cable