

Electronic proportional regulator - Series PME

Product code: PME204-ED5E2E-00

Datasheet creation date: 10/03/2025 10:37

Check the most updated document online [click here](#)

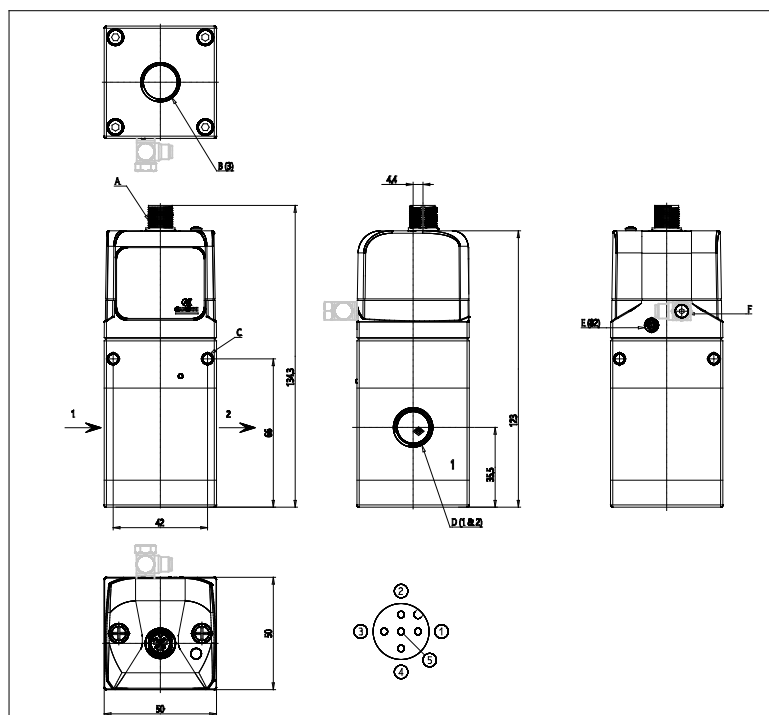


TECHNICAL DATA

Series	PME
size	2 = Size 2
Connections	04 = G1/4
Diagnostics	E = Without diagnostics and wireless connection
Pressure	D = 0-10,3 bar
Function	5 = Standard, 3-way NC version. with port 3 and pilot exhaust not conveyable
Piloting	E = External
Command signal	2 = 0-10 V
Feedback digital output signal	E = Error signal
Cable length	00 = No cable

Electronic proportional regulator - Series PME

Product code: PME204-ED5E2E-00



DIMENSIONS

Series	PME
size	2 = Size 2
Connections	04 = G1/4
Diagnostics	E = Without diagnostics and wireless connection
Pressure	D = 0-10,3 bar
Function	5 = Standard, 3-way NC version. with port 3 and pilot exhaust not conveyable
Piloting	E = External
Command signal	2 = 0-10 V
Feedback digital output signal	E = Error signal
Cable length	00 = No cable