

## Electronic proportional regulator - Series PME

Product code: PME238-ED5I2E-00

Datasheet creation date: 10/03/2025 10:38

Check the most updated document online [click here](#)

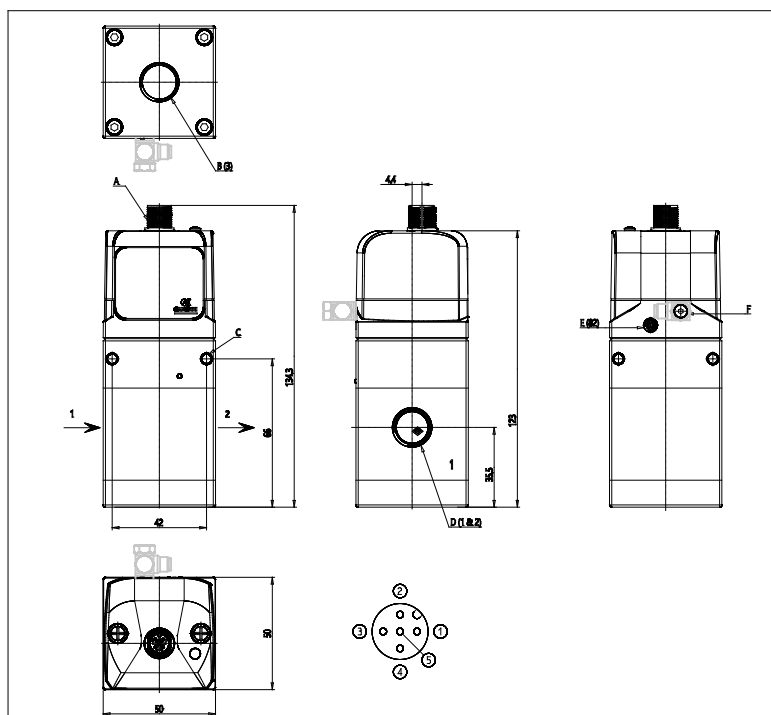


### TECHNICAL DATA

<b>Series</b>	PME
<b>size</b>	2 = Size 2
<b>Connections</b>	38 = G3/8
<b>Diagnostics</b>	E = Without diagnostics and wireless connection
<b>Pressure</b>	D = 0-10,3 bar
<b>Function</b>	5 = Standard, 3-way NC version. with port 3 and pilot exhaust not conveyable
<b>Piloting</b>	I = Internal
<b>Command signal</b>	2 = 0-10 V
<b>Feedback digital output signal</b>	E = Error signal
<b>Cable length</b>	00 = No cable

## Electronic proportional regulator - Series PME

Product code: PME238-ED512E-00



### ■ DIMENSIONS

<b>Series</b>	PME
<b>size</b>	2 = Size 2
<b>Connections</b>	38 = G3/8
<b>Diagnostics</b>	E = Without diagnostics and wireless connection
<b>Pressure</b>	D = 0-10,3 bar
<b>Function</b>	5 = Standard, 3-way NC version. with port 3 and pilot exhaust not conveyable
<b>Piloting</b>	l = Internal
<b>Command signal</b>	2 = 0-10 V
<b>Feedback digital output signal</b>	E = Error signal
<b>Cable length</b>	00 = No cable