

Electronic proportional regulator - Series PME

Product code: PME238-ED5I2P-00

Datasheet creation date: 10/03/2025 10:38

Check the most updated document online [click here](#)

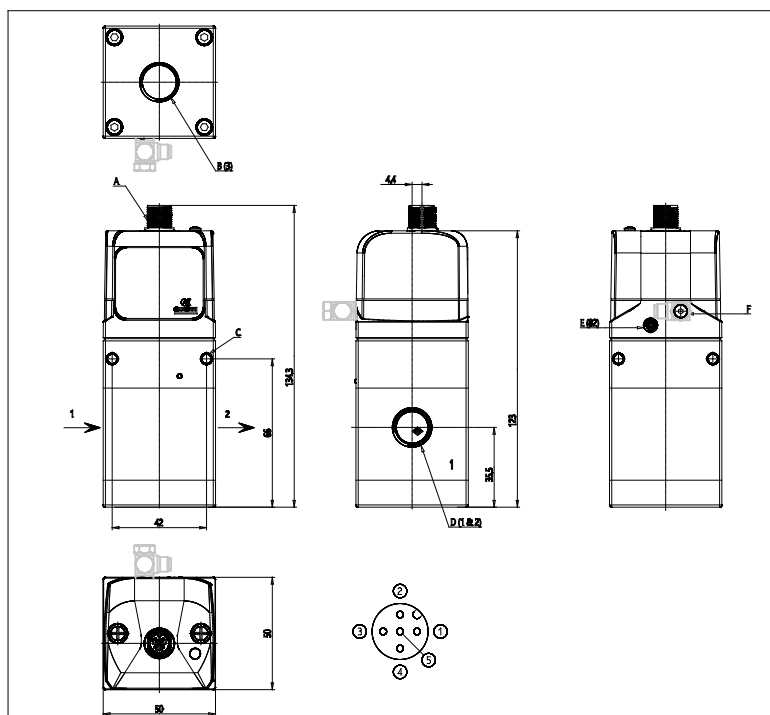


TECHNICAL DATA

Series	PME
size	2 = Size 2
Connections	38 = G3/8
Diagnostics	E = Without diagnostics and wireless connection
Pressure	D = 0-10,3 bar
Function	5 = Standard, 3-way NC version. with port 3 and pilot exhaust not conveyable
Piloting	I = Internal
Command signal	2 = 0-10 V
Feedback digital output signal	P = pressure switch
Cable length	00 = No cable

Electronic proportional regulator - Series PME

Product code: PME238-ED512P-00



DIMENSIONS

Series	PME
size	2 = Size 2
Connections	38 = G3/8
Diagnostics	E = Without diagnostics and wireless connection
Pressure	D = 0-10,3 bar
Function	5 = Standard, 3-way NC version. with port 3 and pilot exhaust not conveyable
Piloting	1 = Internal
Command signal	2 = 0-10 V
Feedback digital output signal	P = pressure switch
Cable length	00 = No cable