

Direct acting solenoid valves - Series PN

Product code: PN000-301-P53

Datasheet creation date: 10/03/2025 11:42

Check the most updated document online [click here](#)

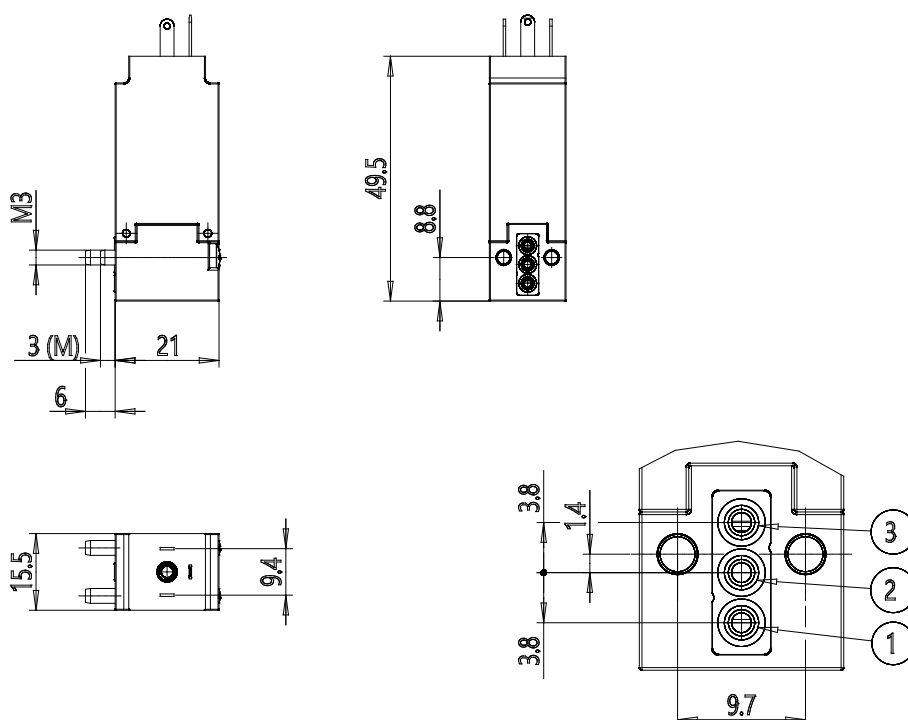


TECHNICAL DATA

Series	PN
Body execution	0 = interface
Number of seats	00 = ISO 15218 interface
Number of ways - Functions	3 = 3/2 way - NC
Valve connections	0 = ISO 15218 interface
Orifice diameter	1 = Ø 0.8 mm
Materials	P = PBT body - FKM seals - NBR
Electrical connection	5 = industry standard (9.4 mm)
Voltage - Absorbed power	3 = 24 V DC - 1 W
Fixing	= fixing screws for plastic

Direct acting solenoid valves - Series PN

Product code: PN000-301-P53



DIMENSIONS

Series	PN
Body execution	0 = interface
Number of seats	00 = ISO 15218 interface
Number of ways - Functions	3 = 3/2 way - NC
Valve connections	0 = ISO 15218 interface
Orifice diameter	1 = Ø 0.8 mm
Materials	P = PBT body - FKM seals - NBR
Electrical connection	5 = industry standard (9.4 mm)
Voltage - Absorbed power	3 = 24 V DC - 1 W
Fixing	= fixing screws for plastic