

## Direct acting solenoid valves - Series PN

Product code: PN000-301-P56

Datasheet creation date: 10/03/2025 11:42

Check the most updated document online [click here](#)

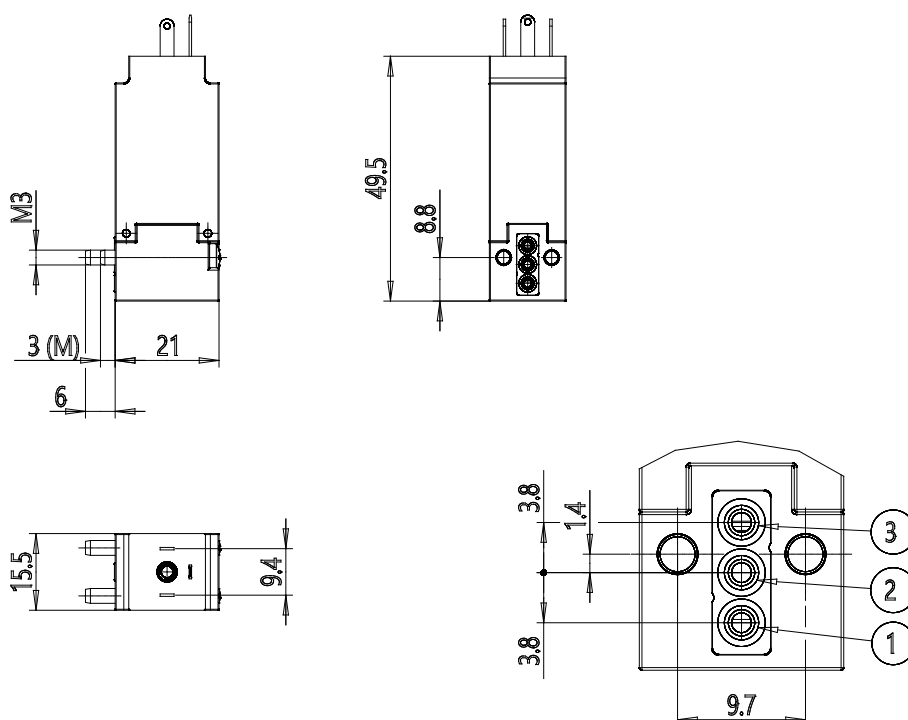


### TECHNICAL DATA

<b>Series</b>	PN
<b>Body execution</b>	0 = interface
<b>Number of seats</b>	00 = ISO 15218 interface
<b>Number of ways - Functions</b>	3 = 3/2 way - NC
<b>Valve connections</b>	0 = ISO 15218 interface
<b>Orifice diameter</b>	1 = Ø 0.8 mm
<b>Materials</b>	P = PBT body - FKM seals - NBR
<b>Electrical connection</b>	5 = industry standard (9.4 mm)
<b>Voltage - Absorbed power</b>	6 = 110 V DC - 2 W
<b>Fixing</b>	= fixing screws for plastic

## Direct acting solenoid valves - Series PN

Product code: PN000-301-P56



### DIMENSIONS

<b>Series</b>	PN
<b>Body execution</b>	0 = interface
<b>Number of seats</b>	00 = ISO 15218 interface
<b>Number of ways - Functions</b>	3 = 3/2 way - NC
<b>Valve connections</b>	0 = ISO 15218 interface
<b>Orifice diameter</b>	1 = Ø 0.8 mm
<b>Materials</b>	P = PBT body - FKM seals - NBR
<b>Electrical connection</b>	5 = industry standard (9.4 mm)
<b>Voltage - Absorbed power</b>	6 = 110 V DC - 2 W
<b>Fixing</b>	= fixing screws for plastic