

Electronic proportional regulator - Series PRE

Product code: PRE1M4-EE7IIN-00-OX1

Datasheet creation date: 10/03/2025 10:42

Check the most updated document online [click here](#)

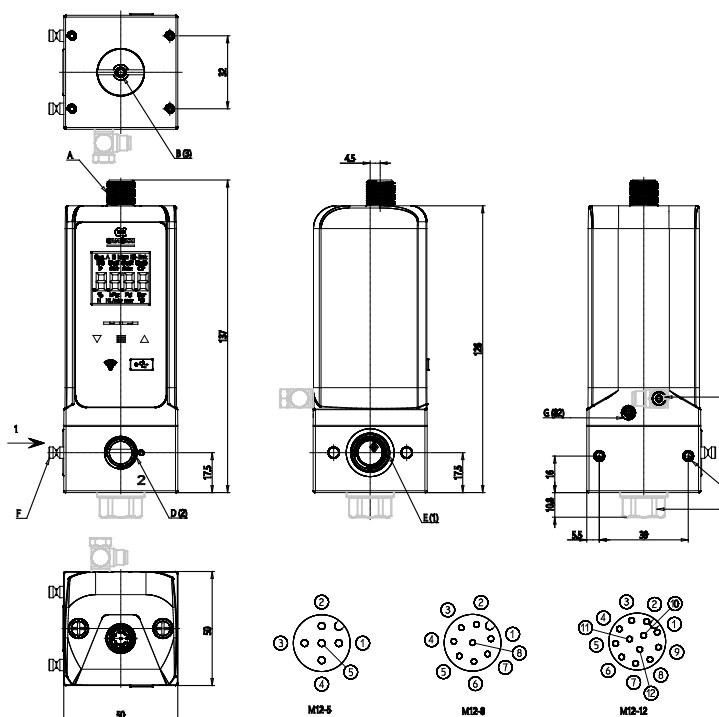


TECHNICAL DATA

Series	PRE
Size	1 = Size 1
Connections	M4 = G1/4 Manifold
Display	E = Without display
Pressure	E = 0-4 bar
Function	7 = Standard, 3/2 version, NC, with port 3 and pilot exhaust conveyable
Piloting	I = Internal
Command signal	I = IO-Link
Feedback signal	N = No exit signal
Cable length	00 = No cable
Diagnostics	= without diagnostics
Certifications	OX1 = Suitable for oxygen

Electronic proportional regulator - Series PRE

Product code: PRE1M4-EE7IIN-00-OX1



DIMENSIONS

Series	PRE
Size	1 = Size 1
Connections	M4 = G1/4 Manifold
Display	E = Without display
Pressure	E = 0-4 bar
Function	7 = Standard, 3/2 version, NC, with port 3 and pilot exhaust conveyable
Piloting	I = Internal
Command signal	I = IO-Link
Feedback signal	N = No exit signal
Cable length	00 = No cable
Diagnostics	= without diagnostics
Certifications	OX1 = Suitable for oxygen